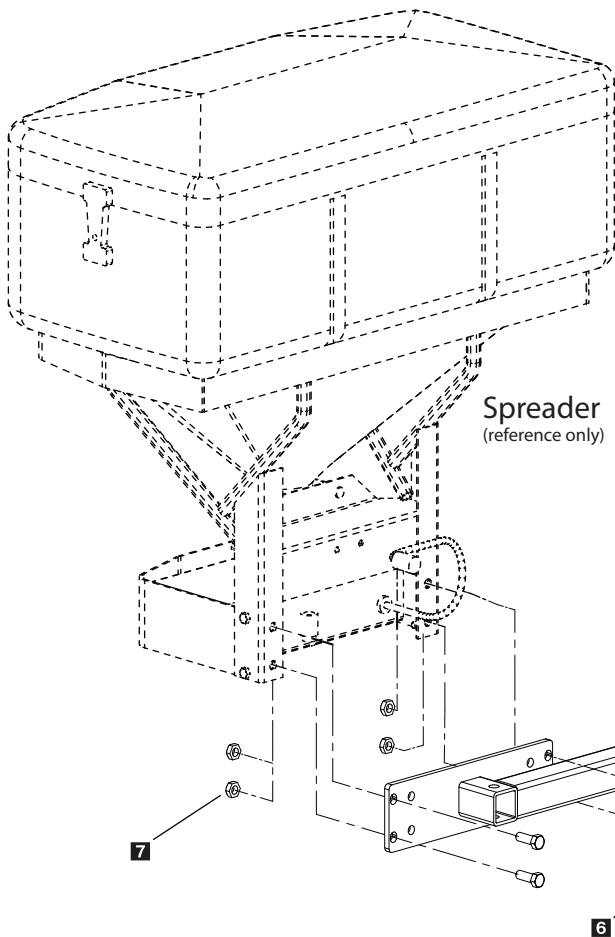
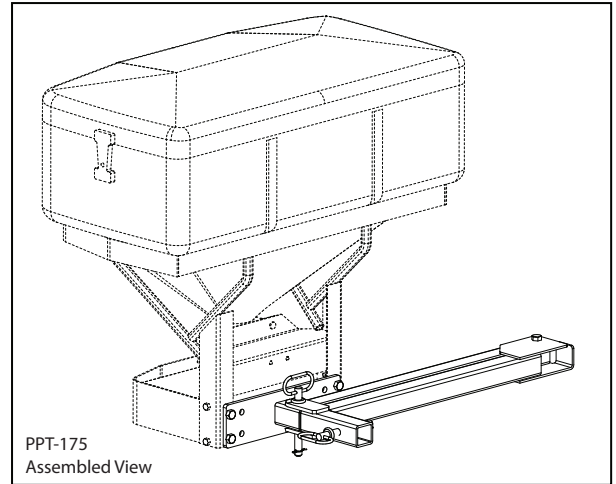


# Pivot Pal Mount Parts Breakdown

Model #PPT-175



Spreader  
(reference only)



Step 1: Assemble spreader swing arm **2** to spreader hitch arm **1** with **8** and **4** & **5** nut and bolt. Do not over tighten since this may cause the arm to bind and will not swing open freely.

Step 2: Collapse assembly and install **3** hitch pin to keep assembly from opening.

Step 3: Remove existing 1/2" bolts from spreader drive assembly and mount spreader assembly to spreader (see illustration). Re-tighten hardware per illustration.

Step 4: With assistance, lift spreader into position and insert into vehicle receiver mount. Install **3** hitch pin with clip.

Step 5: Remove swing arm hitch pin and swing spreader out on drivers side, at this time use a spray lubricant such as automotive lithium type or a grease based product. This will help prevent unwanted corrosion in the pivot joint; this should be checked on a regular basis during the season.

Step 6: Close spreader and re-install hitch pin with clip.

Step 7: Plug spreader into spreader harness and test for power on.

Key	Part No.	Description	Qty.
<b>1</b>	D 6051	Hitch Arm	1
<b>2</b>	D 6052	Swing Arm	1
<b>3</b>	D 4136	Hitch Pin With Clip	2
<b>4</b>	D 6052	1/2" x 2-1/2" Shoulder Bolt	1
<b>5</b>	D 4124	3/8"-16 Nylon Hex Nut	1
<b>6</b>	D 4116	1/2"-13 x 1-1/2" Hex Bolt	4
<b>7</b>	D 4120	1/2"-13 Lock Nut	4
<b>8</b>	D 6049	1/2" x 1/6" Bronze Thrust Washer	2