



# SNOWPLOWS



**SNOWDOGG<sup>®</sup>**  
by **Buyers**

**2013-2014**



# SNOW DOGG SNOWPLOW SPECS

MODEL	WIDTH	BLADE HEIGHT	MATERIAL	THICKNESS	ANGLE CYLINDERS	LIFT CYLINDER	KINGPIN SIZE	WIDTH AT ANGLE	RIBS	SPRINGS	TRIP STYLE	CUTTING EDGE	WEIGHT <sup>1</sup>	DEFLECTOR	SHOES
MD68	80"	24"	SS	.075"	1½" x 10"	1½" x 6"	1"	69.2"	6	2	Full	3/8" x 6"	380 lbs.	Std.	Cast
MD75	90"	24"	SS	.075"	1½" x 10"	1½" x 6"	1"	78"	8	2	Full	3/8" x 6"	400 lbs.	Std.	Cast
MD80	96"	24"	SS	.075"	1½" x 10"	1½" x 6"	1"	83"	10	2	Full	1/2" x 6"	439 lbs.	Std.	Cast
VMD75	90"	26"/33"	SS	.075"	1½" x 1¾" x 12"	1½" x 6"	1"	78"	6	4	Edge	3/8" x 6"	700 lbs.	Std.	Opt.
HD75	90"	29"	SS	.105"	1½" x 12"	2" x 6"	1⅛"	78"	9	4	Full	3/8" x 6"	680 lbs.	Std.	Cast
HD80	96"	29"	SS	.105"	1½" x 12"	2" x 6"	1⅛"	83"	9	4	Full	3/8" x 6"	700 lbs.	Std.	Cast
EX75	90"	31"	SS	.105"	1½" x 12"	2" x 6"	1⅛"	78"	9	4	Full	1/2" x 6"	745 lbs.	Std.	Cast
EX80	96"	31"	SS	.105"	1½" x 12"	2" x 6"	1⅛"	83"	9	4	Full	1/2" x 6"	765 lbs.	Std.	Cast
EX85	102"	31"	SS	.105"	1½" x 12"	2" x 6"	1⅛"	88.3"	9	4	Full	1/2" x 6"	785 lbs.	Std.	Cast
EX90	108"	31"	SS	.105"	1½" x 12"	2" x 6"	1⅛"	93.5"	9	4	Full	1/2" x 6"	805 lbs.	Std.	Cast
TE75	90"	31"	SS	.105"	1½" x 12"w	2" x 6"	1⅛"	78"	8	4	Edge	1/2" x 6"	705 lbs.	Std.	Cast
TE80	96"	31"	SS	.105"	1½" x 12"	2" x 6"	1⅛"	83"	8	4	Edge	1/2" x 6"	772 lbs.	Std.	Cast
TE90	108"	31"	SS	.105"	1½" x 12"	2" x 6"	1⅛"	94"	8	4	Edge	1/2" x 6"	812 lbs.	Std.	Cast
VXF85	102"	29"/37"	SS	.105"	1½" x 1¾" x 12"	2" x 6"	1"	88"	8	4	Edge	1/2" x 6"	978 lbs.	Std.	Opt.
VXF95	114"	29"/37"	SS	.105"	1½" x 1¾" x 12"	2" x 6"	1"	99"	8	4	Edge	1/2" x 6"	998 lbs.	Std.	Opt.
XP810	96"-120"	29"	SS	.105"	1½" x 12"	2" x 6"	1⅛"	104"	9	4	Full	1/2" x 6"	1021 lbs.	Std.	Cast
CM100	120"	31"	SS	.105"	2" x 12"	2" x 6"	1⅛"	104"	10 <sup>2</sup>	6	Full	5/8" x 6"	1084 lbs.	Std.	Cast

<sup>1</sup> Weight Not Including Truck Mount, 40-80lbs. Typical Weight; <sup>2</sup> 2 Are Diagonal



**NOTHING WORKS LIKE A DOGG™**

# MD Series

**Typical Application:**  
1/2-Ton, 3/4 -Ton, Light-Duty Trucks, & SUV's



## FEATURES

- Medium duty plow
- Half the weight of EX plows
- Most trucks without OEM plow prep packages, lighter duty trucks, and SUV's can handle an MD plow

*Ideal for: Small business owners and light duty commercial users*

# VMD Series

**Typical Application:**  
Plow Prep. 1/2-Ton Trucks

## FEATURES

- Power of VXF Series but for plow prep 1/2-Ton trucks
- Flared wings for moving & throwing snow

*Ideal for: Small business owners and light duty commercial users*



All SnowDogg®  
Plows are  USA

## HD/EX Series

Typical Application:  
Plow Prep. 3/4-Ton, 1-Ton,  
& Super Duty Trucks



shown with  
Optional  
Plow Wings

### FEATURES

- Simple and reliable operation
- Every feature has been optimized
- SnowDogg® HD/EX plow wings are the perfect accessory to add a full 24" to your plowing width (see pg. 10 for more details)

*Ideal for: Commercial users who rely on their equipment to get the job done*



## TE Series

Typical Application:  
Plow Prep. 3/4-Ton, 1-Ton,  
& Super Duty Trucks

### FEATURES

- Best of the HD/EX Series brought to a reliable trip edge design
- Deflectors, shoes and a heavy-duty cutting edge included as standard items
- Trip edge mechanism keeps the snow in front of your plow
- Smooth tripping action

*Ideal for: Commercial users who prefer the smooth operation of a trip edge plow*

All SnowDogg®  
Plows are



## VXF Series

Typical Application:  
3/4-Ton and Larger Trucks

### FEATURES

- Takes the toughness and reliability of the EX Series & puts it in a V-Plow
- Regenerative hydraulics give you the speed you want
- Double acting cylinders mean REAL back dragging is standard
- The trip edge mechanism ensures smooth operation

*Ideal for: Commercial users who want the power and flexibility of a V-plow.  
Flared wings for moving and throwing snow*



## XP Series

Typical Application:  
3/4-Ton and Larger Trucks

### FEATURES

- Hydraulically expanding wings add a full 24" to your plowing width
- Wings allow you to adjust your width on the fly

*Ideal for: Commercial users who rely on their equipment to get the job done*

## CM Series

Typical Application:  
10,000 - 29,000 GVWR

### FEATURES

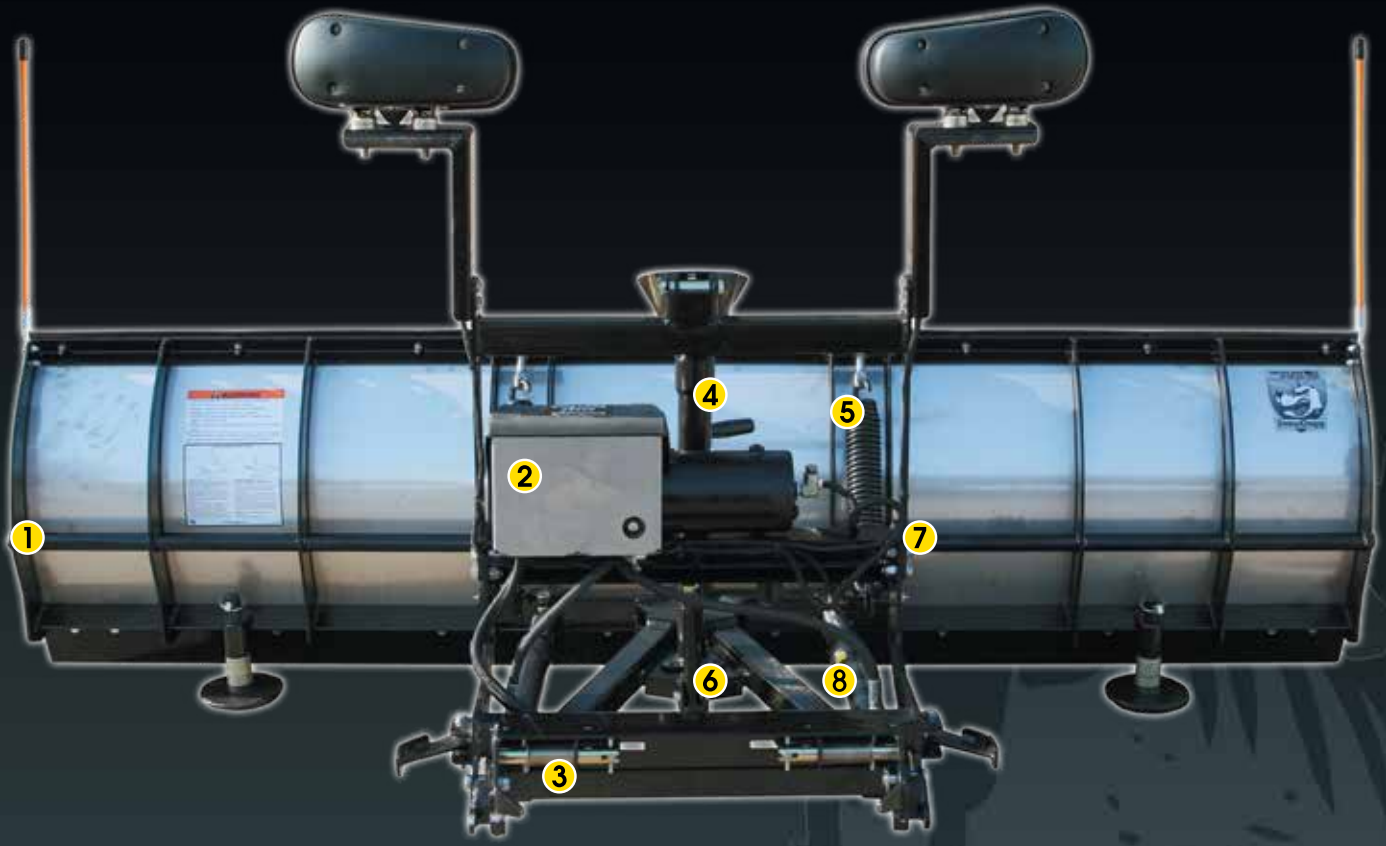
- Heavy-Duty plow in a commercial duty package
- 6 trip springs
- Tough quadrant/sector configuration

*Ideal for: Commercial users and municipal applications*



# MD Series

Typical Application: 1/2-Ton, 3/4 -Ton, Light-Duty Trucks, & SUV's



# MD Series



**1**  $\frac{3}{16}$ " Laser Cut Steel Ribs w/  $\frac{15}{16}$ " Cross Tube & HD Channel spreads loads across components not connection points



**2** Power Unit / Hydraulics full size SAE std. cartridge valves, oversized  $\frac{3}{8}$ " rubber hoses, integral valve manifold



**3** Quick Attach/Detach Mounting - easy to use over center linkage operated locking pins with foot pedals



**4** Lift Arm - 35° travel provides exceptional snow stacking.



**5** 2 Stress Optimized Trip Springs - provide up to 85° of smooth moldboard tripping action



**6** Adjustable/Removable Jack Stand - maximum flexibility for a wide range of mounting conditions & surfaces



**7** Contoured Lift Frame - for greater ground clearance



**8**  $\frac{1}{2}$ " x 10" Angle Cylinders



**9** 70° Attack Angle - provides excellent scraping, rolling, and throwing action



**10** Moldboard - tough stainless steel corrosion free moldboard



**11**  $\frac{3}{8}$ " Cutting Edge - 50% longer life than  $\frac{1}{4}$ " cutting edges, and no chatter. (MD80 has  $\frac{1}{2}$ " cutting edge)



**12** Snow Deflector - standard



**13** Blade Guides - wire reinforced blade guides, standard



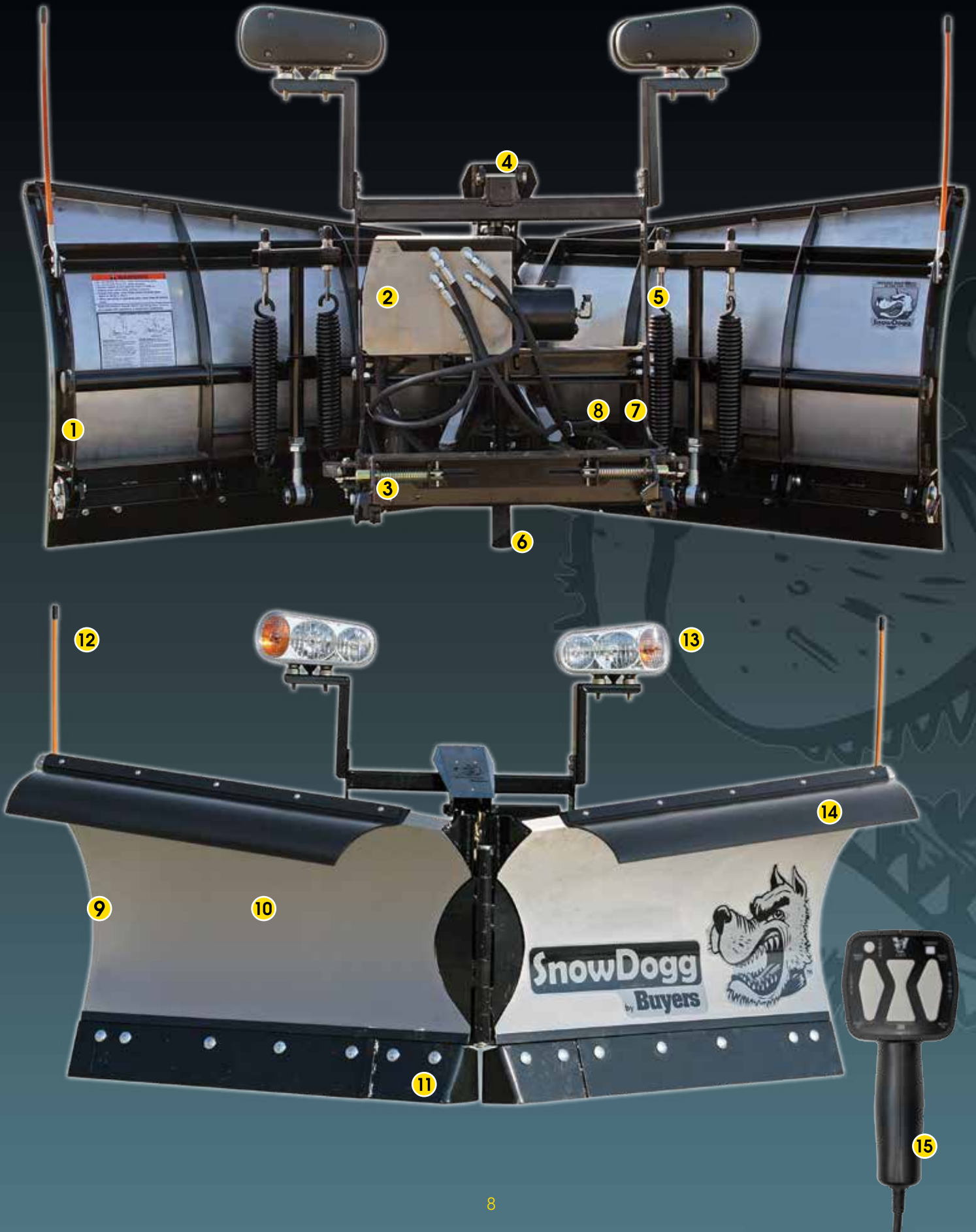
**14** Plow Lights - powerful, dual beam halogen plow lights with secure double post mounts



**15** Digital Controller - provides comfortable one hand operation with oversized glove friendly buttons

# VMD Series

Typical Application: Plow Prep. 1/2-Ton Trucks





# VMD Series



**1** 1/4" Laser Cut Steel Ribs w/ 2" Cross Tube & HD Channel spreads loads across components not connection points



**2** Power Unit / Hydraulics full size SAE std. cartridge valves, oversized 3/8" rubber hoses, integral valve manifold



dual foot pedals

**3** Quick Attach/Detach Mounting - easy to use over center linkage operated locking pins with foot pedals



**4** Lift Arm - 35° travel provides exceptional snow stacking.



**5** Trip Edge Design - for smooth plowing over obstacles



**6** Adjustable/Removable Jack Stand - maximum flexibility for a wide range of mounting conditions & surfaces



**7** Contoured Lift Frame - for greater ground clearance



**8** Double Angle Cylinders - for REAL backdragging, standard



**9** 70° Attack Angle - provides excellent scraping, rolling, and throwing action



**10** Moldboard - tough stainless steel corrosion free moldboard



**11** 3/8" Cutting Edge with Replaceable Hardened Center Edges - means less time in the shop, & more time on the road



**12** Blade Guides - wire reinforced blade guides, standard



**13** Plow Lights - powerful, dual beam halogen plow lights with secure double post mounts



**14** Snow Deflector - standard



**15** Digital Controller - provides comfortable one hand operation with oversized glove friendly buttons



Optional VMD Plow Shoes - Part No. 16121700

# HD/EX Series

Typical Application: Plow Prep. 3/4-Ton, 1-Ton, & Super Duty Trucks



## OPTIONAL 12" Plow Wings

- Stowable – no more lifting. With the pull of a pin the wings can be rotated behind the plow for transport between job sites.
- Protected against overloads. The same pin used for stowing also acts as a shear pin to prevent expensive damage to the wing and your plow.
- Torsion locks – prevent the wing from twisting when plowing but still allow for easy stowage.



Part No. EX Series - 16021610, HD Series 16021510

## OPTIONAL Shock Kit for EX Series

- Requires no drilling for installation
- Protects plow components
- Cushions the trip action and return
- Helps prevent excessive tripping



Part No. 16101500

# HD/EX Series



**1** **Optional Plow Wings** - Add a full 24" to your plowing width



**2** **1/4" Laser Cut Steel Ribs w/ 2" Cross Tube & HD Channel** spreads loads across components not connection points



**3** **Power Unit / Hydraulics** full size SAE std. cartridge valves, oversized 3/8" rubber hoses, integral valve manifold



**4** **Quick Attach/Detach Mounting** - easy to use over center linkage operated locking pins with foot pedals



**5** **Lift Arm** - 35° travel provides exceptional snow stacking. Heavy-Duty 2" x 6" lift cylinder.



**6** **4 Stress Optimized Trip Springs** - provide up to 85° of smooth moldboard tripping action



**7** **Adjustable/Removable Jack Stand** - maximum flexibility for a wide range of mounting conditions & surfaces



**8** **Contoured Lift Frame** - for greater ground clearance



**9** **1 1/2" x 12" Angle Cylinders** - delivers greater angling force than standard cylinders



**10** **70° Attack Angle** - provides excellent scraping, rolling, and throwing action



**11** **Moldboard** - tough stainless steel corrosion free moldboard



**12** **1/2" Cutting Edge** means less time in the shop, and more time on the road



**13** **Snow Deflector** - standard



**14** **Blade Guides** - wire reinforced blade guides, standard



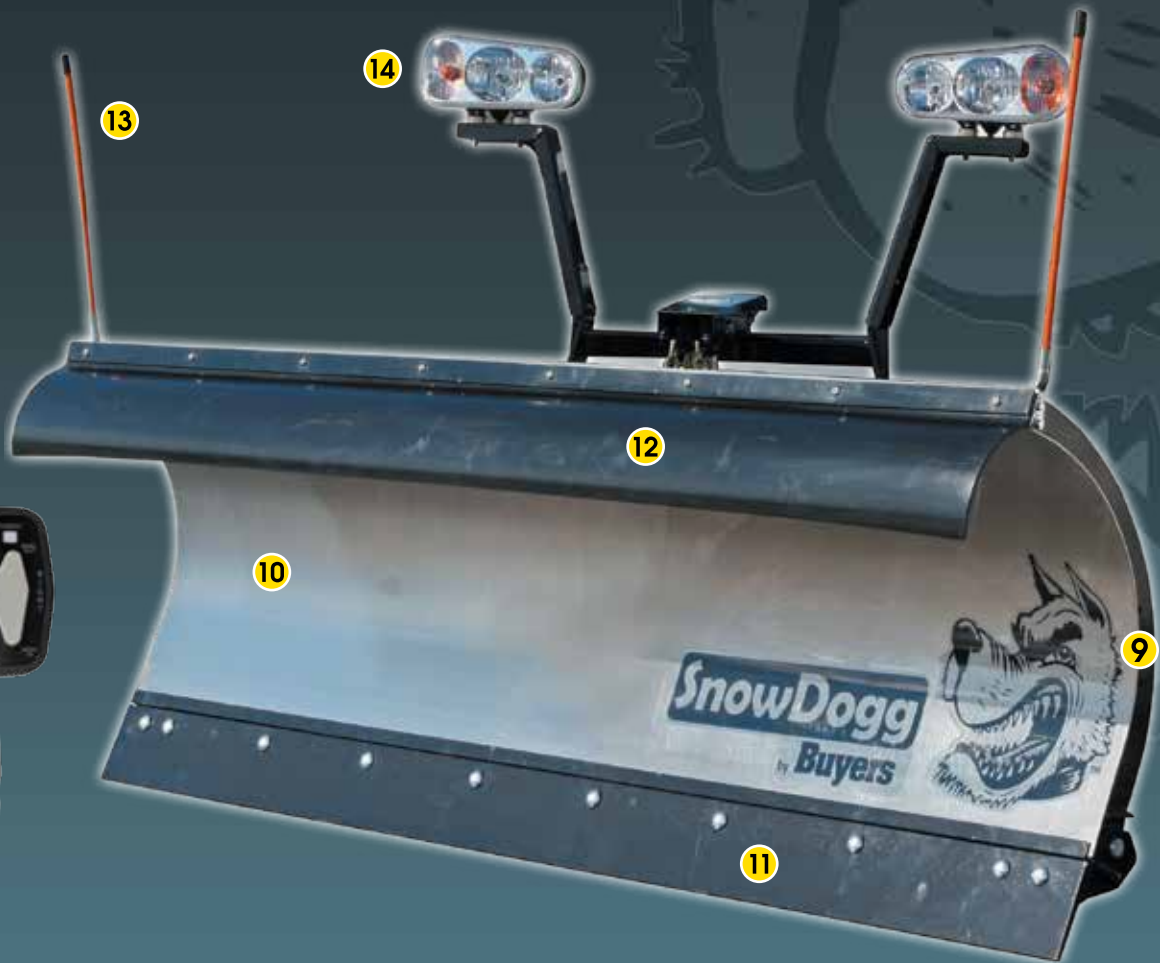
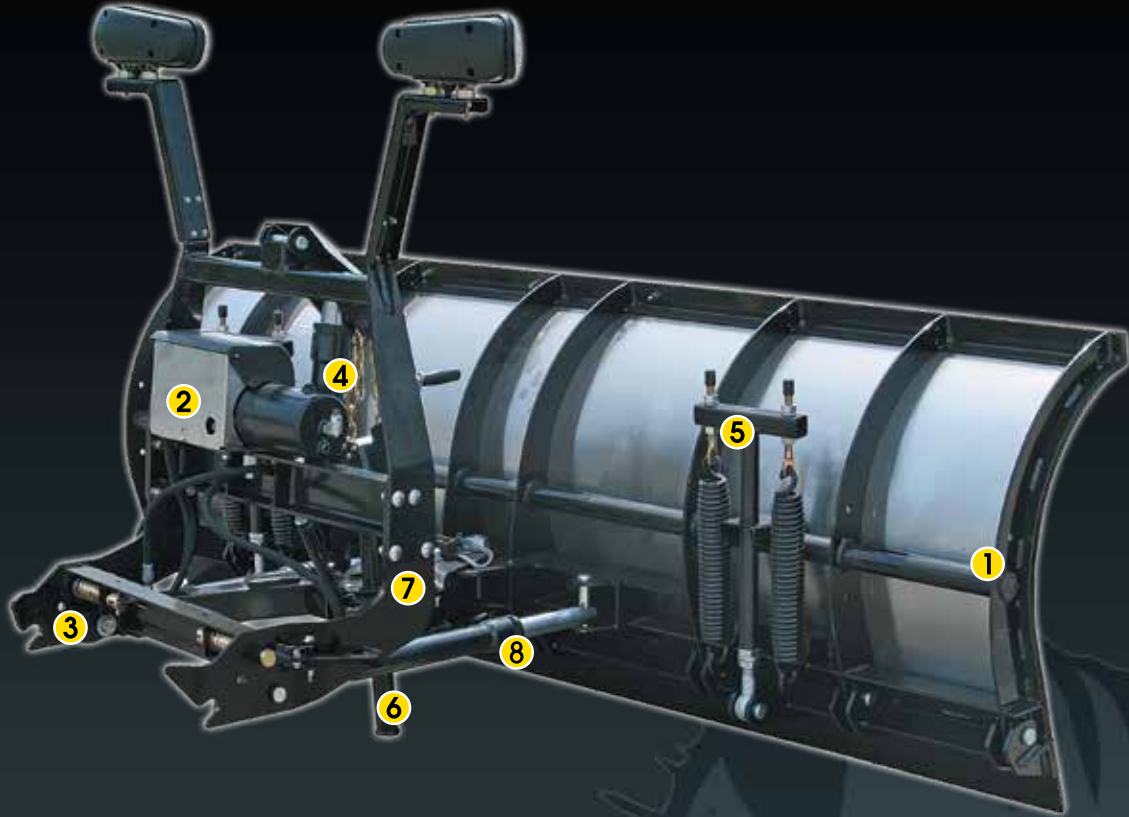
**15** **Plow Lights** - powerful, dual beam halogen plow lights with secure double post mounts



**16** **Digital Controller** - provides comfortable one hand operation with oversized glove friendly buttons

# TE Series

Typical Application: Plow Prep. 3/4-Ton, 1-Ton, & Super Duty Trucks



# TE Series



**1** 1/4" Laser Cut Steel Ribs w/ 2" Cross Tube & HD Channel spreads loads across components not connection points



**2** Power Unit / Hydraulics full size SAE std. cartridge valves, oversized 3/8" rubber hoses, integral valve manifold



**3** Quick Attach/Detach Mounting - easy to use over center linkage operated locking pins with foot pedals



**4** Lift Arm - 35° travel provides exceptional snow stacking. Heavy-Duty 2" x 6" lift cylinder.



**5** Trip Edge Design - for smooth plowing over obstacles



**6** Adjustable/Removable Jack Stand - maximum flexibility for a wide range of mounting conditions & surfaces



**7** Contoured Lift Frame - for greater ground clearance



**8** 1 1/2" x 12" Angle Cylinders - delivers greater angling force than standard cylinders



**9** 70° Attack Angle - provides excellent scraping, rolling, and throwing action



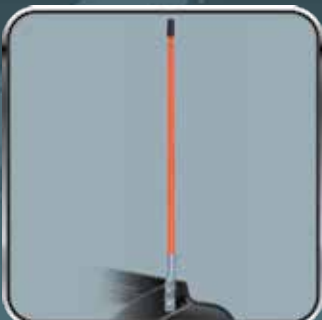
**10** Moldboard - tough stainless steel corrosion free moldboard



**11** 1/2" Cutting Edge - means less time in the shop, & more time on the road (3/8" cutting edge on TE75)



**12** Snow Deflector - standard



**13** Blade Guides - wire reinforced blade guides, standard



**14** Plow Lights - powerful, dual beam halogen plow lights with secure double post mounts



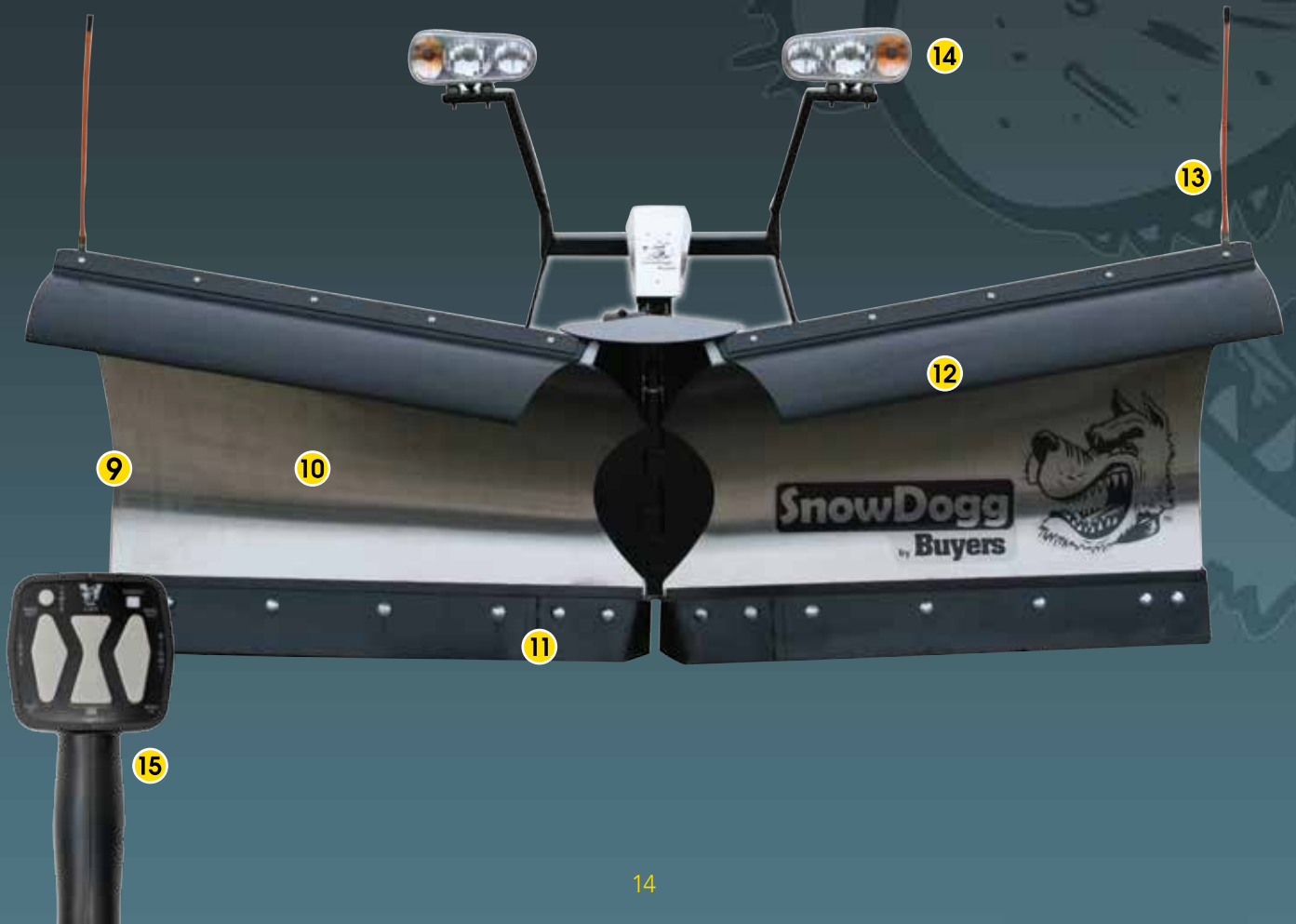
**15** Digital Controller - provides comfortable one hand operation with oversized glove friendly buttons



Standard Plow Shoes

# VXF Series

Typical Application: 3/4-Ton and Larger Trucks



# VXF Series



**1** 1/4" Laser Cut Steel Ribs w/ 2" Cross Tube & HD Channel spreads loads across components not connection points



**2** Power Unit / Hydraulics full size SAE std. cartridge valves, oversized 3/8" rubber hoses, integral valve manifold



dual foot pedals

**3** Quick Attach/Detach Mounting - easy to use over center linkage operated locking pins with foot pedals



**4** Lift Arm - 35° travel provides exceptional snow stacking. Heavy-Duty 2" x 6" lift cylinder.



**5** Trip Edge Design - for smooth plowing over obstacles



**6** Adjustable/Removable Jack Stand - maximum flexibility for a wide range of mounting conditions & surfaces



**7** Contoured Lift Frame - for greater ground clearance



**8** Double Angle Cylinders - for REAL backdragging, standard



**9** 70° Attack Angle - provides excellent scraping, rolling, and throwing action



**10** Moldboard - tough stainless steel corrosion free moldboard



**11** 1/2" Cutting Edge with Replaceable Hardened Center Edges - means less time in the shop, & more time on the road



**12** Snow Deflector - standard



**13** Blade Guides - wire reinforced blade guides, standard



**14** Plow Lights - powerful, dual beam halogen plow lights with secure double post mounts



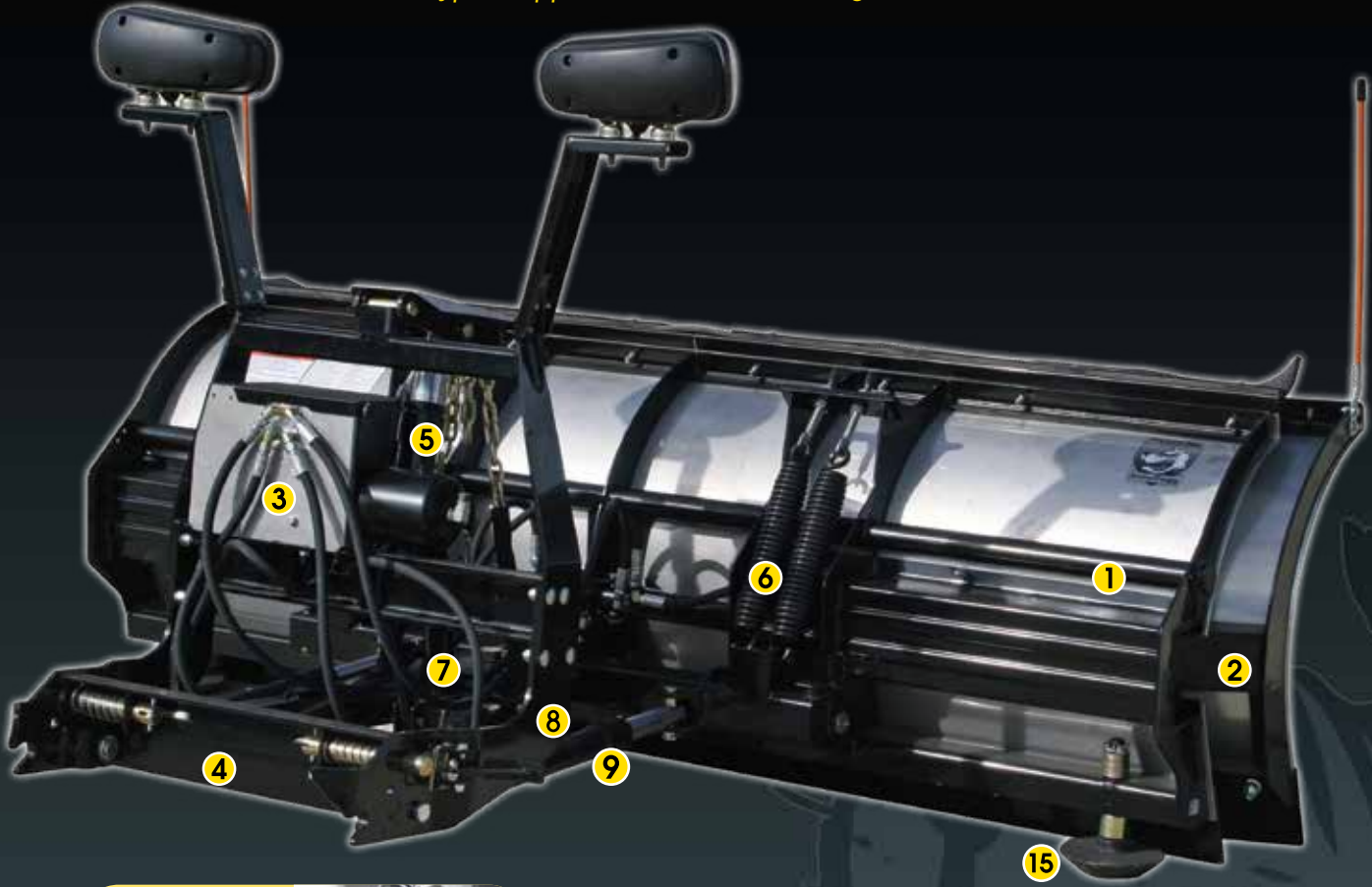
**15** Digital Controller - provides comfortable one hand operation with oversized glove friendly buttons



Optional VX Plow Shoes - Part No. 16121700

# XP Series

Typical Application: 3/4-Ton and Larger Trucks

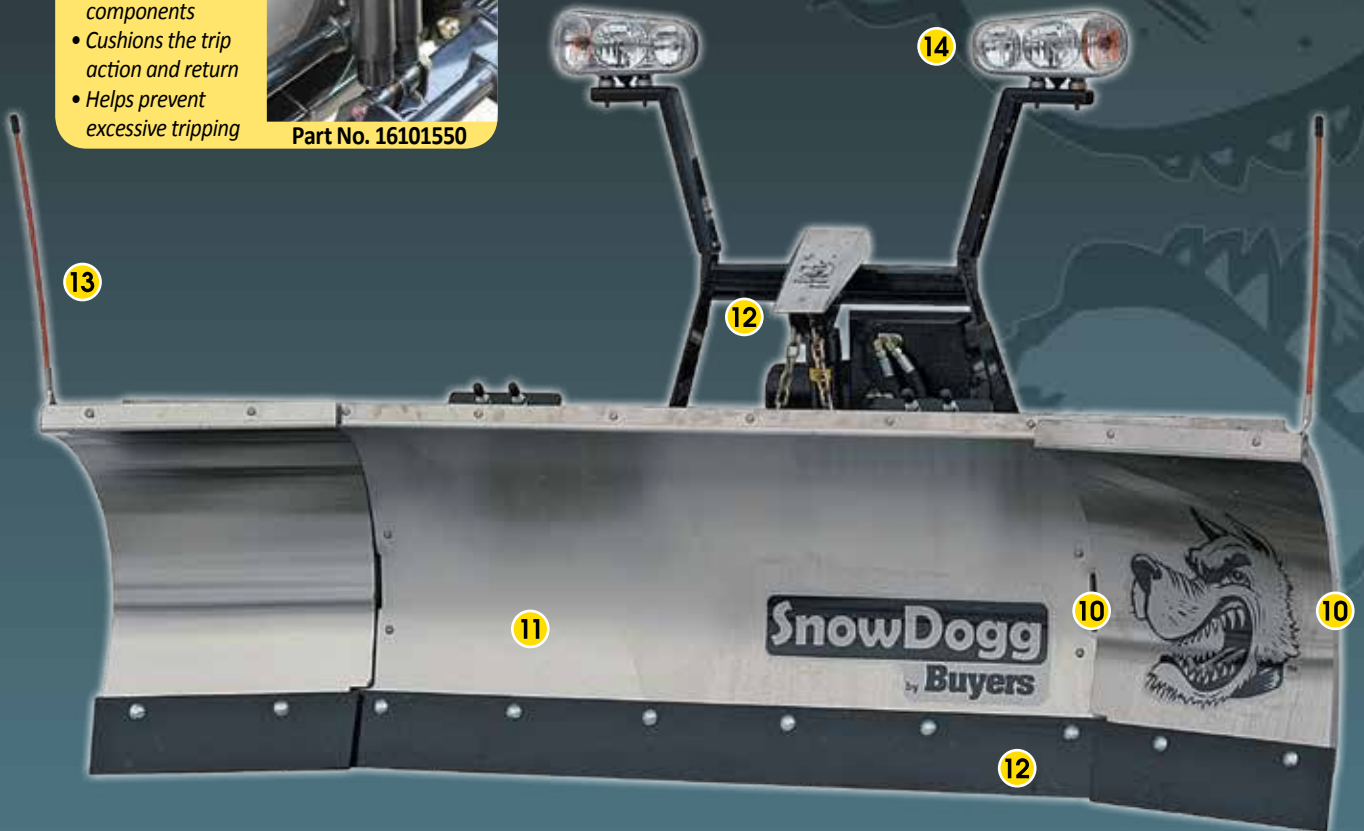


**OPTIONAL Shock Kit**

- Requires no drilling for installation
- Protects plow components
- Cushions the trip action and return
- Helps prevent excessive tripping



Part No. 16101550





# XP Series



**1** 1/4" Laser Cut Steel Ribs w/ 2" Cross Tube & HD Channel spreads load across components not connection points



**2** Hydraulically Expanding Wings - adds a full 24" to your plowing width



**3** Power Unit / Hydraulics full size SAE std. cartridge valves, oversized 3/8" rubber hoses, integral valve manifold



**4** Quick Attach/Detach Mounting - easy to use over center linkage operated locking pins with foot pedals



**5** Lift Arm - 35° travel provides exceptional snow stacking. Heavy-Duty 2" x 6" lift cylinder.



**6** 4 Stress Optimized Trip Springs - provide up to 85° of smooth moldboard tripping action



**7** Adjustable/Removable Jack Stand - maximum flexibility for a wide range of mounting conditions & surfaces



**8** Contoured Lift Frame - for greater ground clearance



**9** 1 1/2" x 12" Angle Cylinders - delivers greater angling force than standard cylinders



**10** 70° Attack Angle - provides excellent scraping, rolling, & throwing action / Forward 20° Scoop - provides excellent pushing & allows for flawless throwing while windowing



**11** Moldboard - tough stainless steel corrosion free moldboard



**12** 1/2" Cutting Edge - means less time in the shop, & more time on the road



**13** Blade Guides - wire reinforced blade guides, standard



**14** Plow Lights - powerful, dual beam halogen plow lights with secure double post mounts



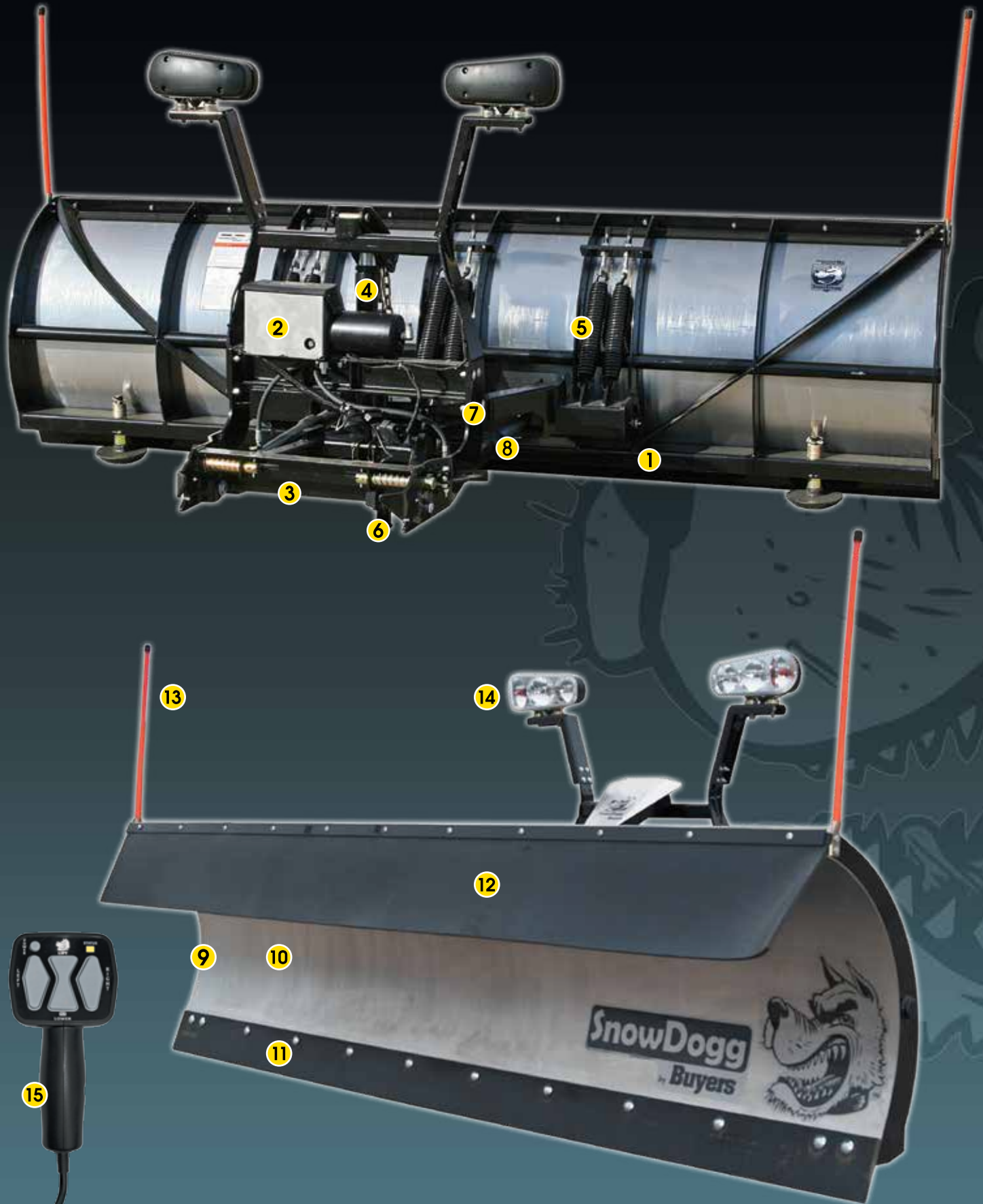
**15** Standard XP Plow Shoes



**Digital Controller** - provides comfortable one hand operation with oversized glove friendly buttons

# CM Series

Typical Application: 10,000 - 29,000 GVWR



# CM Series



**1** ¼" Laser Cut Steel Ribs w/ 2" Cross Tube & HD Channel spreads loads across components not connection points



**2** Power Unit / Hydraulics full size SAE std. cartridge valves, oversized 3/8" rubber hoses, integral valve manifold



**3** Quick Attach/Detach Mounting - easy to use over center linkage operated locking pins with foot pedals



**4** Lift Arm - 35° travel provides exceptional snow stacking. Heavy-Duty 2" x 6" lift cylinder.



**5** 6 Stress Optimized Trip Springs - provide up to 85° of smooth moldboard tripping action



**6** Adjustable/Removable Jack Stand - maximum flexibility for a wide range of mounting conditions & surfaces



**7** Contoured Lift Frame - for greater ground clearance



**8** 2" x 12" Angle Cylinders - delivers greater angling force than standard cylinders



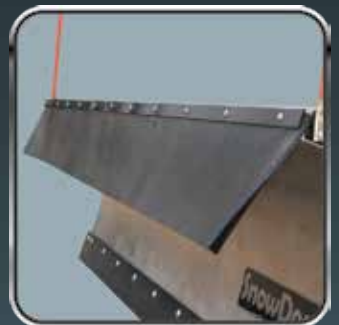
**9** 70° Attack Angle - provides excellent scraping, rolling, and throwing action



**10** Moldboard - tough stainless steel corrosion free moldboard



**11** 5/8" Cutting Edge means less time in the shop, & more time on the road



**12** Snow Deflector - Heavy-Duty belted deflector, standard



**13** Blade Guides - wire reinforced blade guides, standard



**14** Plow Lights - powerful, dual beam halogen plow lights with secure double post mounts



**15** Digital Controller - provides comfortable one hand operation with oversized glove friendly buttons

# NOTHING WORKS LIKE A DOGG™



**SnowDogg**

by **Buyers**



9049 Tyler Blvd. • Mentor, Ohio 44060  
Phone (440) 974-8888 • Fax (800) 841-8003  
Email: [orders@buyersproducts.com](mailto:orders@buyersproducts.com)

For more information visit [www.snowdoggplows.com](http://www.snowdoggplows.com)

Contact:

*Your Authorized SnowDogg® Distributor*

LITPLOW1314 Rev A

080713