

Installation Instructions

TGSUVPROA Salt Spreader

Tools Needed for Assembly

- 3/8 or 1/2 drive ratchet with 3/8, 7/16, 1/2, 9/16 and 15/16 sockets
- 7/16, 1/2, 9/16 & 15/16 wrench
- 1/8" Allen wrench

Safety Precautions

WARNING

Observe the following Safety Precautions before, during and after operating this spreader. By following these precautions and common sense, possible injury to persons and potential damage to this machine may be avoided.

1. Read this entire Owners Manual before operating this spreader.
2. Read all safety decals on the spreader before operating.
3. Verify that all personnel are clear of the spreader spray area before starting or operating this spreader.
4. Do not adjust, clean, lubricate or unclog material jams without first turning off the spreader.
5. Make sure the spreader is securely fastened to the vehicle in accordance with this manual.
6. Do not operate a spreader that is in need of maintenance or repairs.
7. Always disconnect the battery before removing or replacing electrical components.

Spreader Assembly (fig. 1)

Check contents of box against parts list to make sure all components are included. When ordering replacement or spare parts refer to parts list for part numbers.



SPREADER WARRANTY INFORMATION

This warranty replaces all previous warranties and no employee of this company is authorized to extend additional warranties, or agreements, or implications not explicitly covered herein.

Buyers Products Company warrants all parts of the product to be free from defects in material and workmanship for a period of one (1) year. Parts must be properly installed and used under normal conditions. Normal wear is excluded.

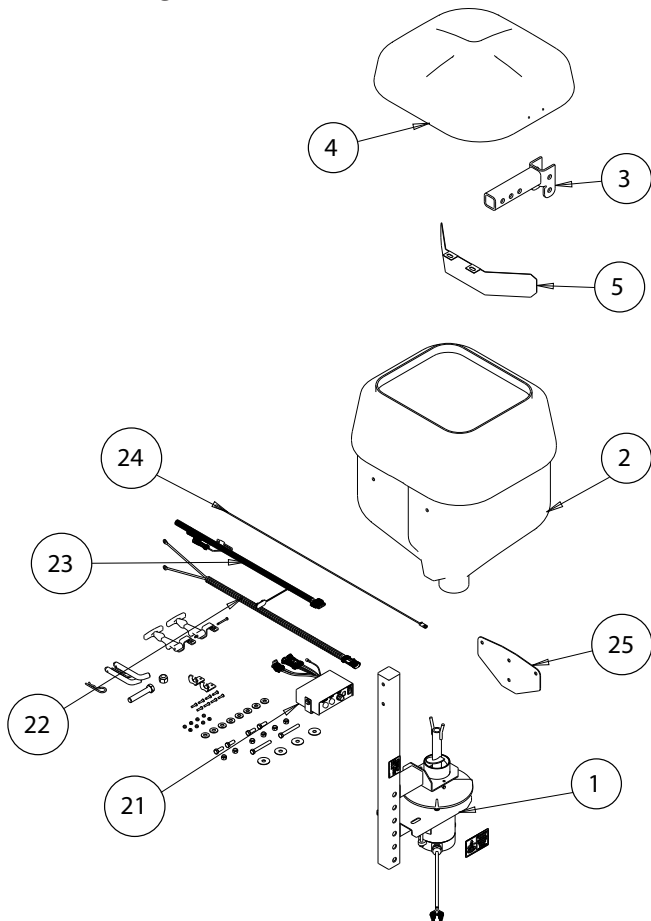
Any part, which has been altered, including modifications, misuse, accident, or lack of maintenance will not be considered under this warranty.

The sole responsibility of Buyers Products Company under this warranty is limited to repairing or replacing any part(s), which are returned, prepaid, 30 days after such defect is discovered, and returned part(s) are found to be defective by Buyers Products Company.

Authorization from Buyers Products Company must be obtained before returning any part. The following information must accompany defective parts returned to Buyers Products Company: RMA #, spreader model, serial number, date installed, and distributor from whom purchased.

Buyers Products Company shall not be liable for damage arising out of failure of any unit to operate properly, or failure, or delay in work, or for any consequential damages. No charges for transportation or labor performed on any part will be allowed under this warranty.

Fig. 1



Spinner Shield & Receiver Mount (fig. 2)

1. Slide 2" receiver mount (3) into receiver hitch. Secure it with hitch pin (9)
2. Mount motor/frame assembly to the receiver mount by inserting 5/8" bolt and nut (10, 11) in the bottom hole and hitch pin in the top hole of the receiver mount. Frame position is adjustable.
3. Install spinner shield (5) with 3/8-16 x 1 hex screws, flat washers and nuts (12, 13 and 17). Position shield 1/2" away from spinner. Shield position is adjustable.

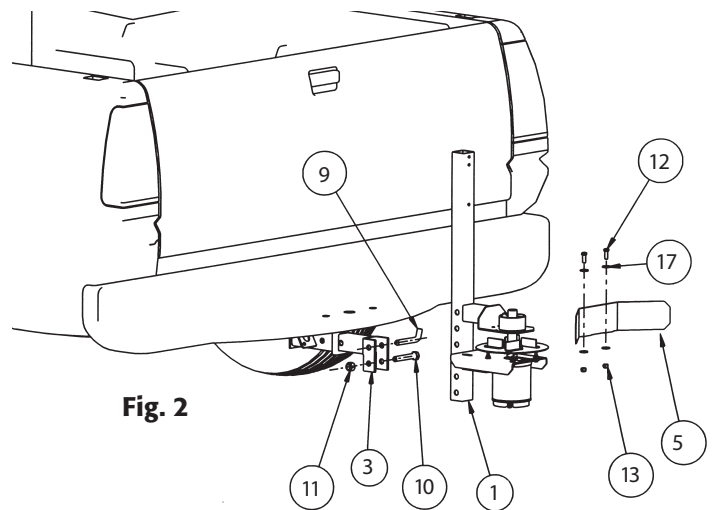


Fig. 2

Bill of Materials

ITEM	PART NO.	QTY.	DESCRIPTION
1	3017107	1	MOTOR, FRAME ASSY,TGSUVPROA
2	3013283	1	HOPPER, W/ GRAPHICS MOLDED SALT DOGG
3	3004589	1	REC. MOUNT, SWING DOWN, TGSUV1 WELDMENT
4	3003571	1	LID, TGSUV1
5	3005977	1	SHIELD, SPINNER, TGSUV1A
6	3006943	1	DECAL, MODEL ID/DATE, TGSUVPROA
7	3014780	1	HARDWARE BAG TGSUVPRO
8	3005714	1	HARDWARE BAG ASSEMBLY, TGSUV1A
9	HP6253WC	2	HITCH PIN WITH HP COTTER
10	3000544	1	SCREW, HH CAP 5/8-11X3.5 GR.5 ZINC
11	FNE063011069	1	NUT, NYLOCK 5/8-11, ZN
12	FCS038016100SS	4	SCREW, HHC 3/8-16 X 1 304 SST
13	FNE038016044SS	6	NUT, NYLOCK 3/8-16 X 7/16 SST
14	3000626P	2	KEEPER, LATCH WJ201 BLACK
15	FBSH01002475SS	8	SCREW, BHC #10-24 X .75 SST
16	FNE010024024SS	8	NUT, ELASTIC STOP 10-24 SS
17	FWF038100007SS	8	WASHER, FLAT 3/8 USS SST
18	3002982	2	STRAP, HOOD CATCH, BLACK
19	3007068	2	CAP SCREW, HX HD-3/8-16X3 SST
20	3007115	4	WASHER, FLAT 3/8 X 1.5 X.048 SST
21	3011864	1	CONTROLLER TGS W/ VIBRATOR SWITCH
22	3008615	1	WIRE HARNESS, POWER TGS
23	3008620	1	WIRE HARNESS MAIN W/ VIBRATOR, TGS
24	203700	1	WIRE ASSEMBLY, 36 LONG
25	3015788	1	RETAINER HOPPER TGSUV

Hopper and Retainer (fig. 3)

1. Slide the hopper onto the sleeve below until the holes in the hopper line up with the holes in the frame tube.
2. Install hopper retainer (25) using two 3/8-16 x 3 hex cap screws (19) and two 3/8-16 x 1 hex cap screws (12) from the outside of the retainer through the retainer, tube and hopper. Install 4 large flat washers (20) inside hopper and 4 smaller 3/8 flat washers (17) outside retainer. Secure hopper to frame with 4 3/8-16 nuts (13).

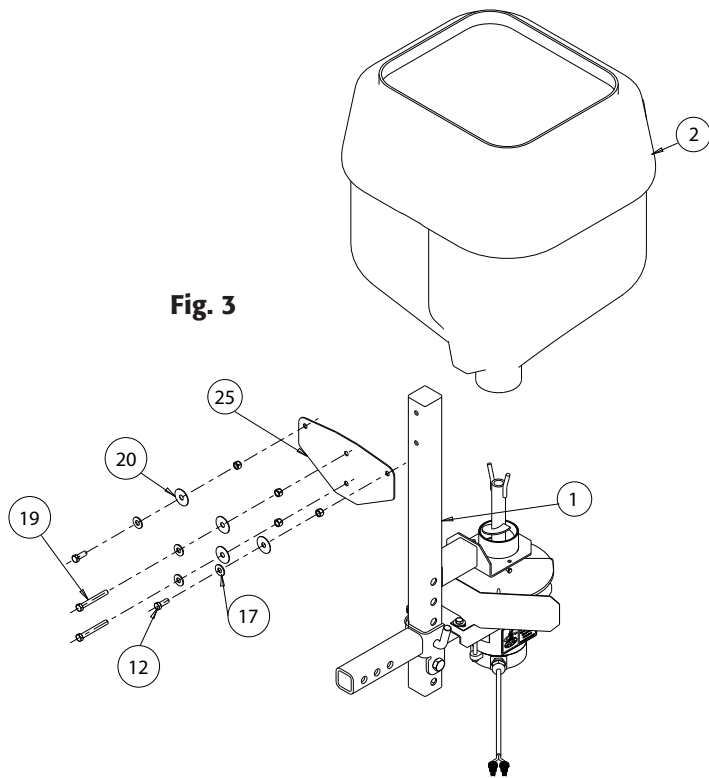
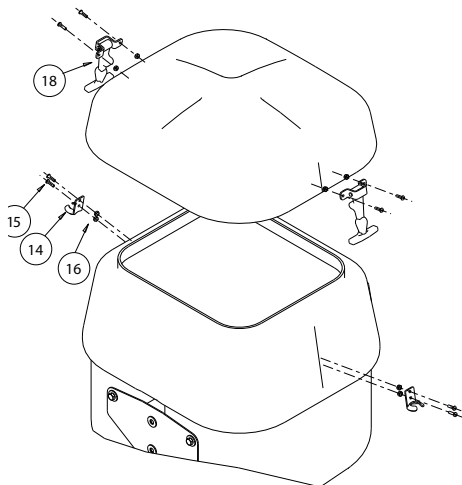


Fig. 3

Cover Latches (fig. 4)

1. Install the cover latch keepers onto the hopper using #10-24 socket head screws (15) and nuts (16). Make sure the keeper (14) is facing down with the screws on top and that the screw head is on the outside and the nuts are on the inside.
2. Install the cover latches (18) onto the cover using #10-24 socket head screws and nuts. Insert the screw thru the inside of the cover so that the nuts are on the outside of the cover.

Fig. 4



Electrical Installation (fig. 5)

*THIS IS WIRE GROUND ELECTRICAL SYSTEM!
NO CONNECTIONS TO TRUCK'S FRAME OR
BODY ALLOWED!*

WARNING

WARNING! Do not drill holes into fuel tanks, fuel lines, through electrical wiring, etc that may be damaged by drilling. To insure good performance of your spreader, check the condition of truck's electrical system. Using digital voltmeter, check alternator and battery voltage. With engine running and head lights and heater fan ON good voltage reading should fall between 13.0 and 15.3 volts. If voltage reading falls out of this range, check and adjust your electric system.

NOTE: Always disconnect battery before attempting to install electrical components on your vehicle.

1. Mount the controller in a convenient location in the truck cab. It is recommended not to mount the controller directly in front of heat vents.

CAUTION

DO NOT MOUNT CONTROLLER IN THE WAY OF AIR BAG DEPLOYMENT!

2. Route both wire harnesses into truck cab through firewall (it maybe necessary to drill holes). Insulate hole to avoid water leaks.
3. Insure no wires are nicked or damaged during installation.
4. Connect the 4-pin connector on the wire harness to the control box.
5. Connect the 2-pin connector on the power cable to the control box.
6. Connect fuse connector to the fuse terminal or ignition switch (5 AMP max).
7. Lay out a path for the power cable to the battery, use quick ties to secure power cable. **DO NOT CONNECT TO BATTERY AT THIS TIME!**
8. Lay out path for wire harness to the rear of the vehicle. It is recommended to stay clear of the exhaust system. Excess heat can damage the wire harnesses. Use quick ties to secure harness to underbody.

9. Connect the wire harness to the motor. Thoroughly clean battery terminals. Make sure battery terminals have no tarnish or corrosion. **DO NOT CONNECT WIRE HARNESS TO DAMAGED OR CORRODED TERMINALS! IT MAY RESULT IN OVERHEATING, LOST POWER AND POTENTIAL CONTROLLER DAMAGE!**
10. Connect the power cable directly to the battery.
11. Insure all functions of the controller are working properly.
12. Observe spinner direction of rotation. The correct direction is counter clock wise when looking inside hopper from the top. If direction is clock wise reverse wires between Motor and Wire Harness.

IMPORTANT

IMPORTANT Make sure all wires securely attached to vehicle or spreader's frame. Use wire ties and/or wire clamps to attach wires. All excess wires must be rolled into bungles and attached to vehicle or spreader.

CAUTION

Do not attempt to tilt spreader with material in it and/or while vehicle is moving.

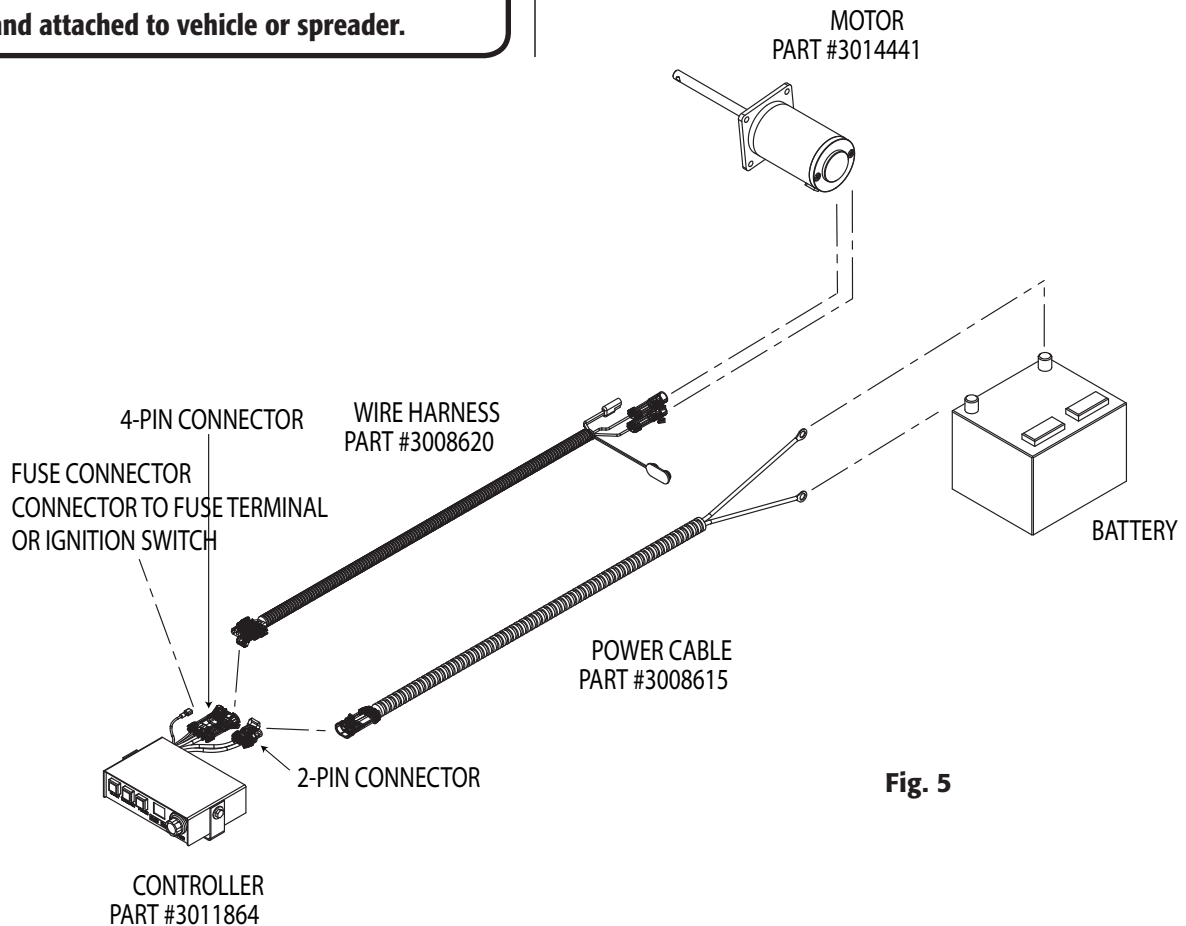


Fig. 5