



PRODIGY™

PRO PLUS®

**PRODIGY™ & PRO PLUS®
Skid Steer Snowplows**

PRODIGY Blade Assembly 57700

PRO PLUS Blade Assembly 76901, 76974, 76980

PRODIGY A-Frame/Attachment Plate, Hydraulics 57820

PRO PLUS A-Frame/Attachment Plate, Hydraulics 75720

Parts List

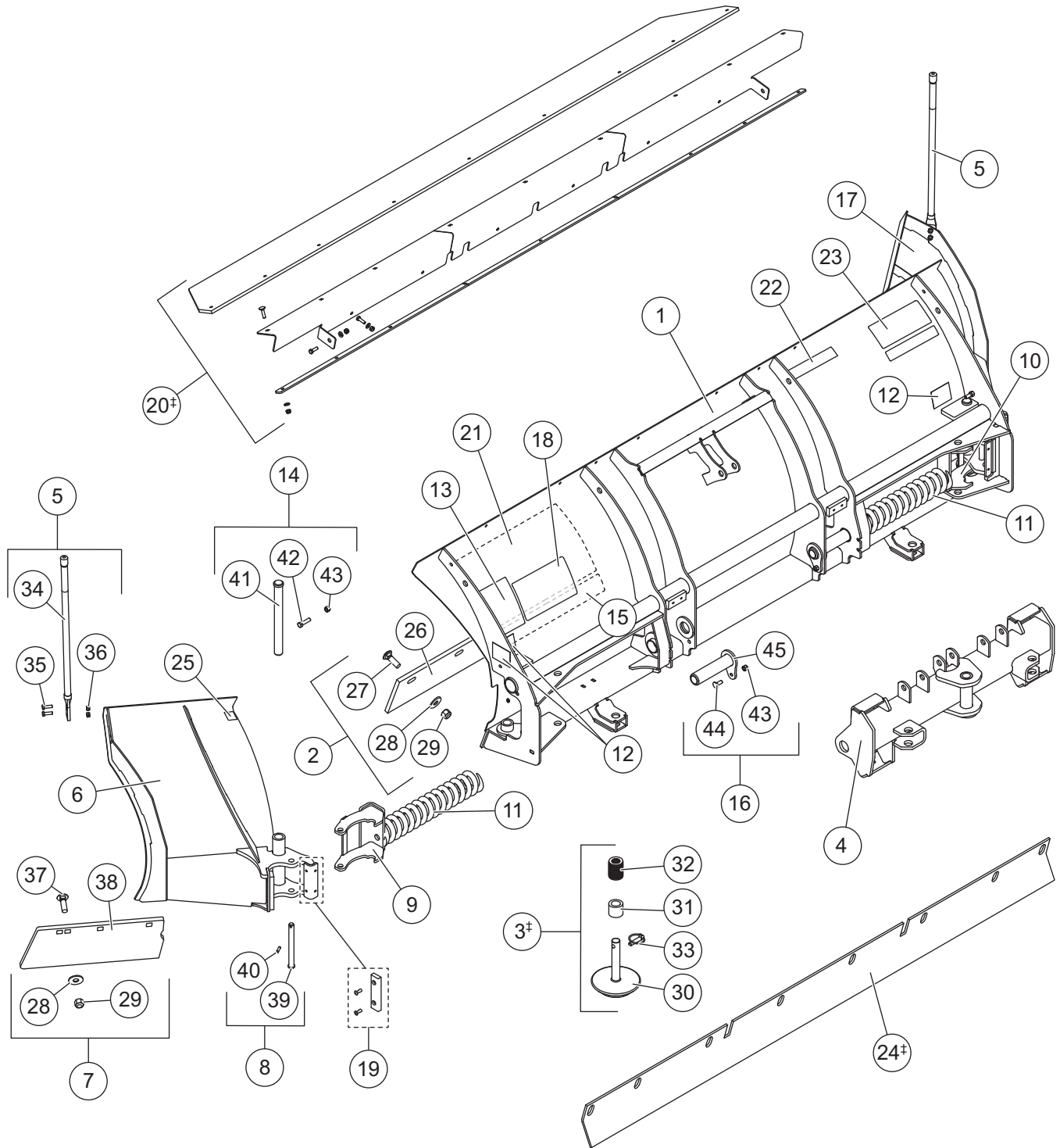


TABLE OF CONTENTS

PRODIGY™ BLADE	4
Blade Components	4
A-Frame Components	8
PRO PLUS® BLADES	10
Blade Components	10
A-Frame Components	12
ANGLE RAM COMPONENTS	14
HYDRAULIC COMPONENTS	15

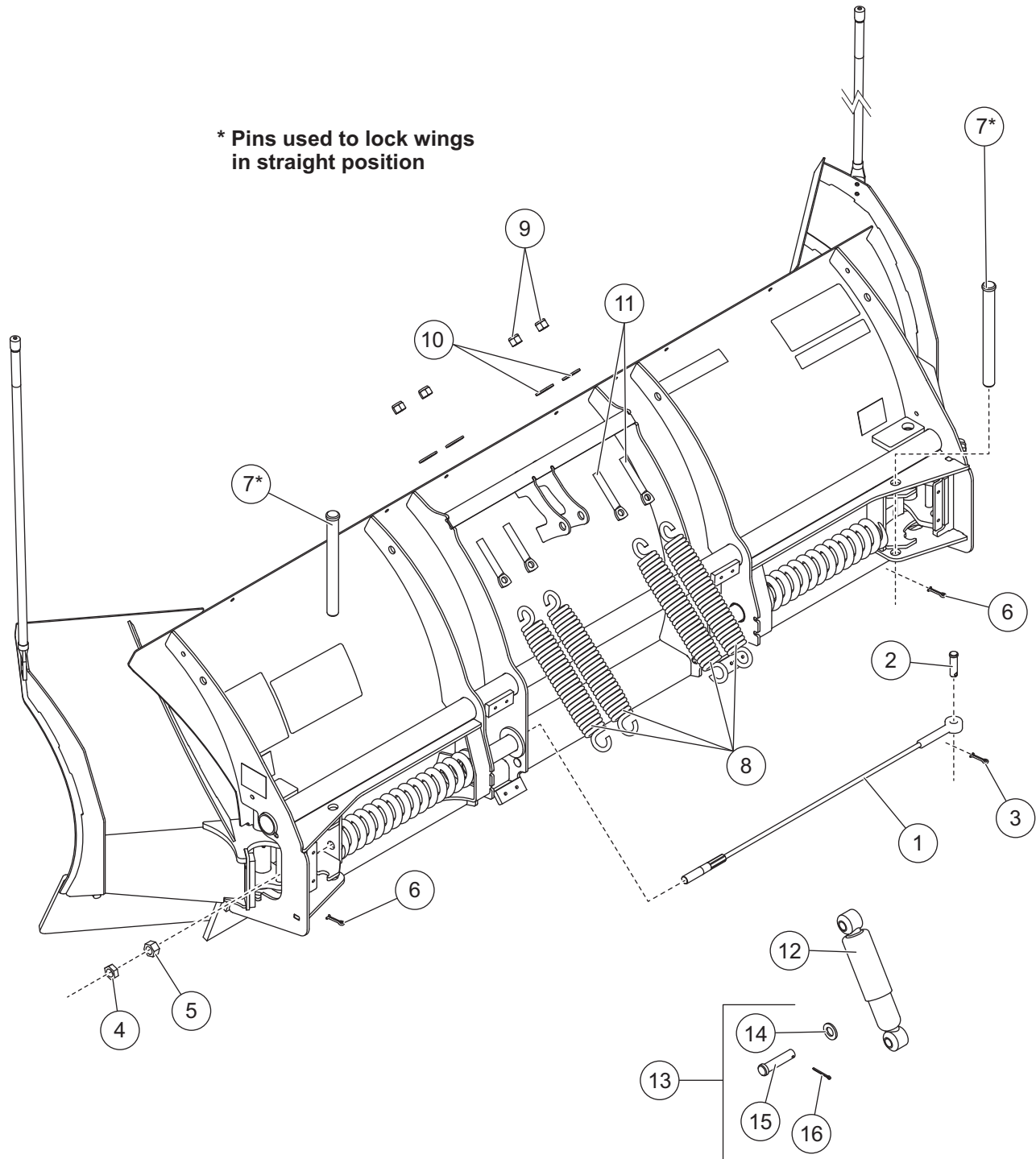
SKID STEER SNOWPLOW PRODIGY™ BLADE – 57820

Blade Components



SKID STEER SNOWPLOW PRODIGY™ BLADE – 57820

Blade Components



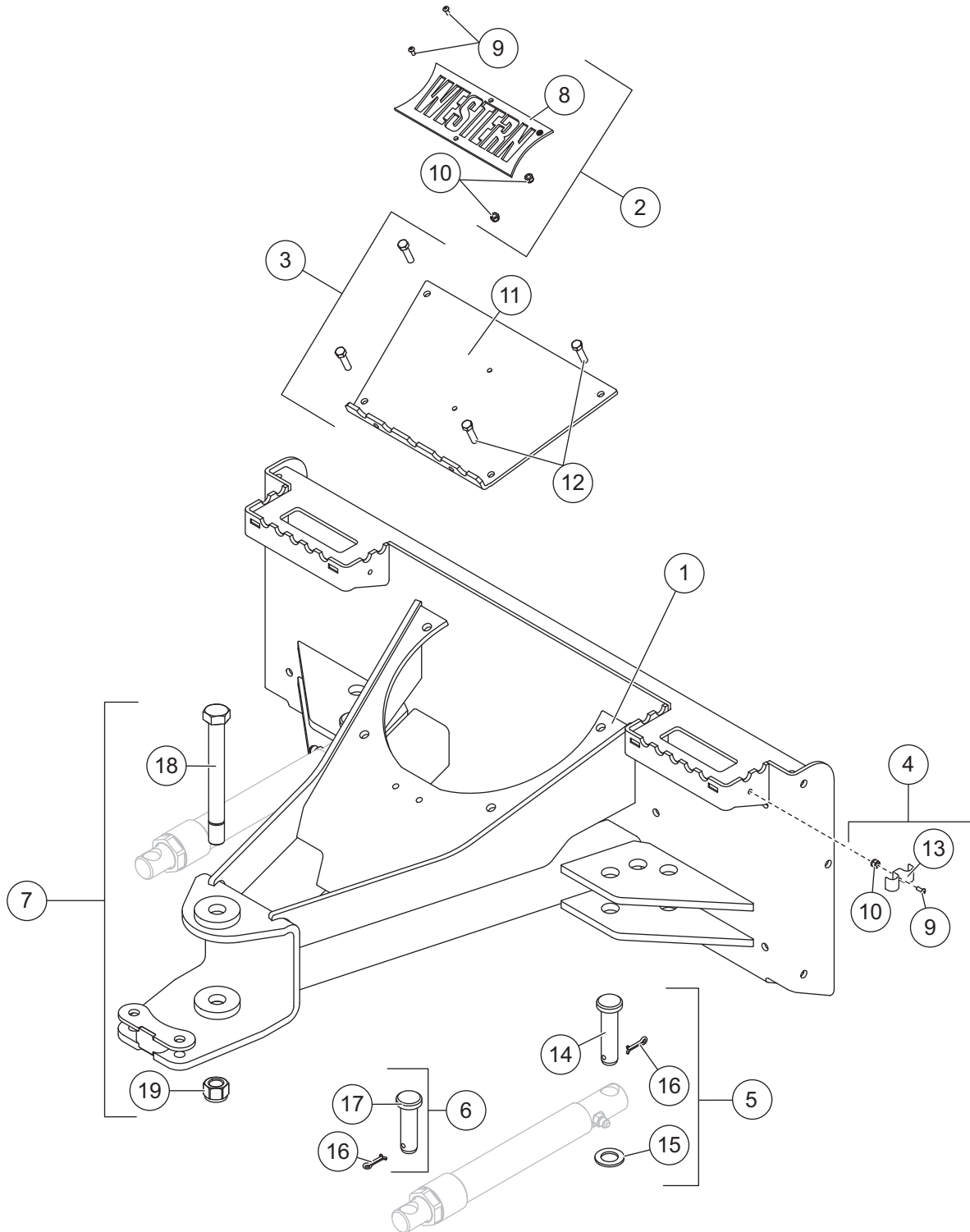
SKID STEER SNOWPLOW PRODIGY™ BLADE – 57820

PRODIGY Blade Components							
Item	Part	Qty	Description	Item	Part	Qty	Description
1	42389	2	Cable Assembly w/Hardware (incl. items 2, 3, 4 and 5)	9	91416	4	5/8-11 Hex Nut G5
2	B61563	2	0.625 x 2.33 Clevis Pin	10	90576	4	5/8 Hardened Flat Washer
3	90601	2	1/4 x 1-1/2 Cotter Pin	11	90490	4	5/8-11 x 4 Eyebolt G2
4	B61615	2	3/4-10 Hex Jam Nut	12 [‡]	63979	1	Shock Absorber
5	B61343	2	3/4-10 Hex Nut	13 [‡]	93063K	2	Shock Absorber Hardware Kit
6	91962	2	1/8 Hairpin Cotter	14		2	3/4" Flat Washer
7	42738	2	3/4 x 9 Clevis Pin	15		2	3/4 x 3-1/4 Clevis Pin
8	23039	4	Trip Spring	16		2	5/32 x 1-1/2 Cotter Pin

‡ = Accessory Only

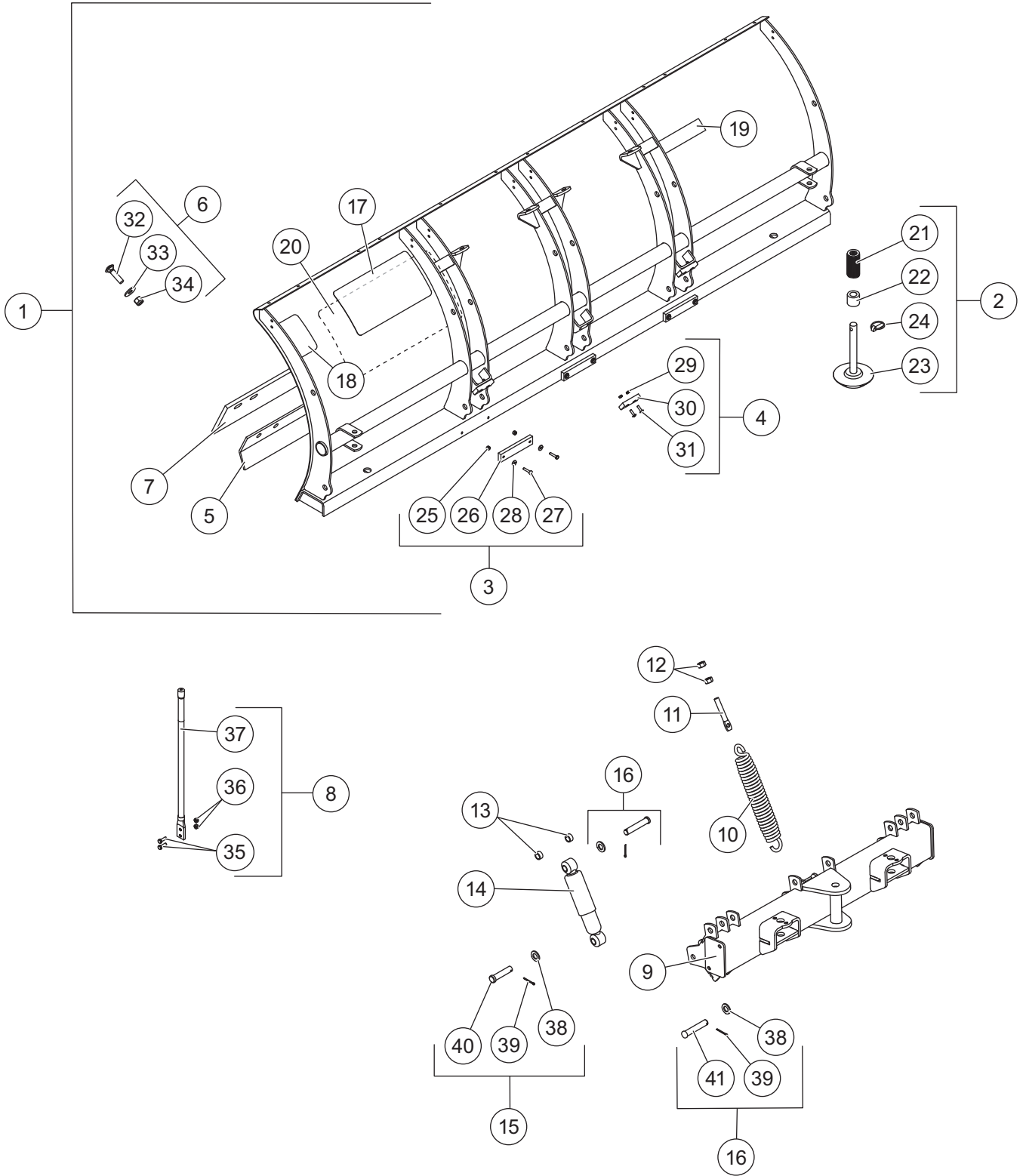
SKID STEER SNOWPLOW PRODIGY™ BLADE – 57820

A-Frame Components



SKID STEER SNOWPLOW PRO PLUS® BLADE – 75720

Blade Components

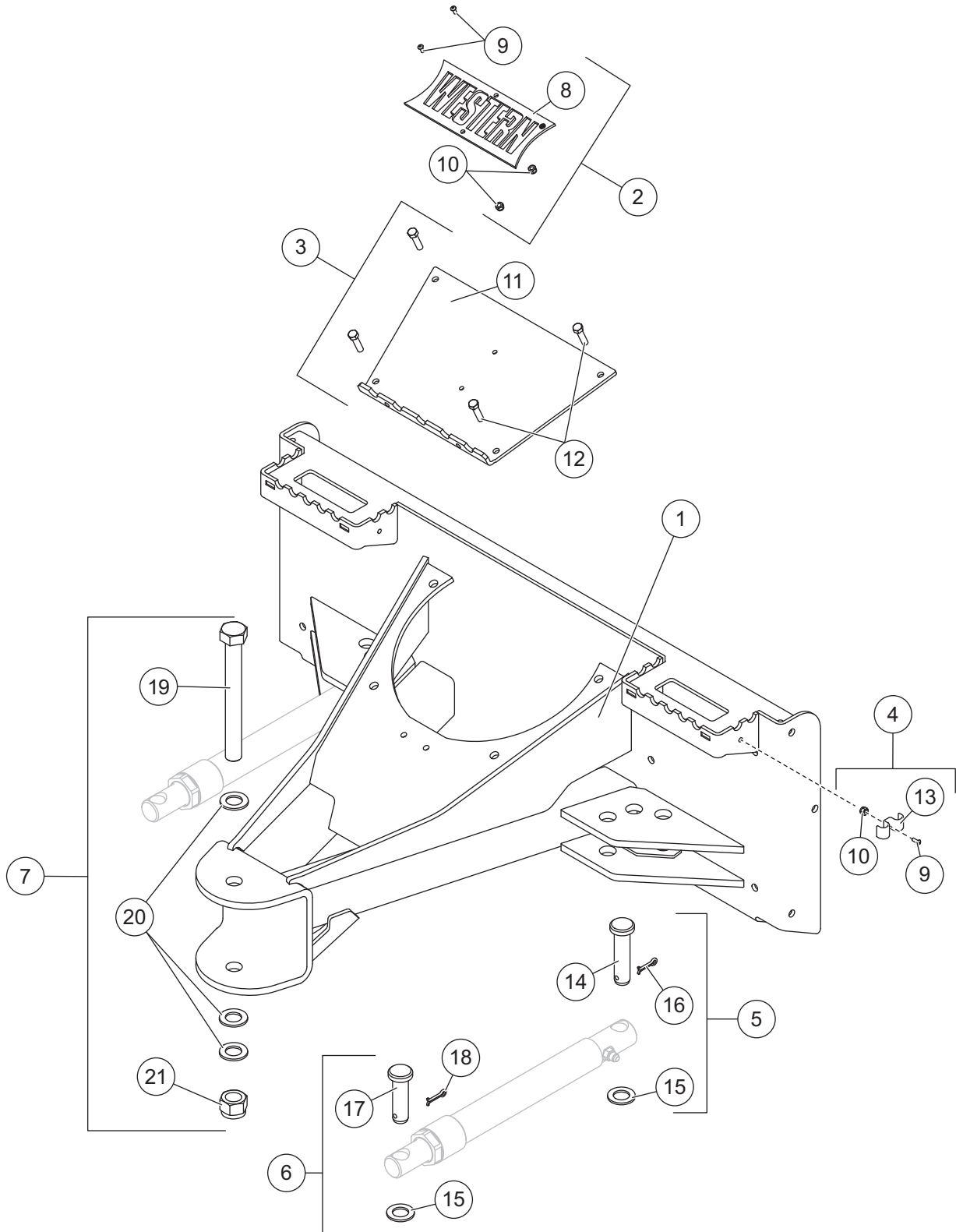


SKID STEER SNOWPLOW PRO PLUS® BLADE – 75720

Blade Components – PRO PLUS							
Item	Part	Qty	Description	Item	Part	Qty	Description
1	66901	1	9' Blade Assembly	8	62595	1	Blade Guide Assembly (pkg of 2)
	66974	1	8.5' Blade Assembly	9	66930-1	1	Quadrant
	66980	1	8' Blade Assembly	10	23039	4	Trip Spring
2	49071	2	Shoe Kit	11	90490	4	5/8-11 x 4 Eyebolt G2
3	63977	2	Trip Stop Kit	12	91416	4	5/8-11 Hex Nut G5
4	63976	1	Push Stop Kit	13	63211	4	Spacer 0.758 ID x 1 OD x 0.5 LG
5†	66991	1	9' Back Drag Edge	14	63979	2	Shock Absorber
	66999	1	8.5' Back Drag Edge	15	93063K	2	3/4 x 3-1/4 Clevis Pin Kit
	66892	1	8' Back Drag Edge	16	95335	5	3/4 x 4 Clevis Pin Kit
6	29351	1	Cutting/Back Drag Edge Bolt Bag	17	57989	1	Label – Skid Steer Attach/Detach
7	63990	1	9' Cutting Edge Kit (incl. item 6)	18	59900	1	Label – Warning/Caution, Snowplows
	63985	1	8.5' Cutting Edge Kit (incl. item 6)	19	28404	1	Label – ULTRAFINISH™
	63980	1	8' Cutting Edge Kit (incl. item 6)	20	28548	1	Label – CONTRACTOR GRADE®
Item 2				49071 Shoe Kit			
21	91192	29	Round Flat Washer Special	23		1	Heavy-Duty Disc Shoe
22	60045	1	Spacer	24	93010K	1	7/16 x 1-3/4 Linchpin
Item 3				63977 Trip Stop Kit			
25		2	1/4-20 Hex Locknut G5	27		2	1/4-20 x 1-1/4 Hex Cap Screw G5
26		1	Bumper	28		2	1/4 Flat Washer
Item 4				63976 Push Stop Kit			
29		2	1/4-20 Hex Jam Locknut GB	31		2	1/4-20 x 3/4 Button Cap Screw
30		1	Bumper				
Item 6				29351 Cutting/Back Drag Bolt Bag			
32	63986	10	5/8-11 x 2-1/2 Carriage Bolt G5	34	91337	10	5/8-11 Hex Locknut GB
33	90576	10	5/8 Hardened Flat Washer				
Item 8				62595 Blade Guide Assembly			
35	68494	4	5/16-18 x 1 Hex Cap Screw G5	37	62578	2	Blade Guide, Poly 24" w/Label
36	91332	4	5/16-18 Hex Locknut GB				
Item 15				93063K 3/4 x 3-1/4 Clevis Pin Kit			
38	91147	1	3/4 Flat Washer	40		1	3/4 x 3-1/4 Clevis Pin
39	91911K	1	5/32 x 1-1/2 Cotter Pin Kit				
Item 16				95335 3/4 x 4 Clevis Pin Kit			
38	91147	1	3/4 Flat Washer	41		1	3/4 x 4 Clevis Pin
39	91911K	1	5/32 x 1-1/2 Cotter Pin Kit				
† = Accessory Only				G = Grade			

SKID STEER SNOWPLOW PRO PLUS® BLADE – 75720

A-Frame Components



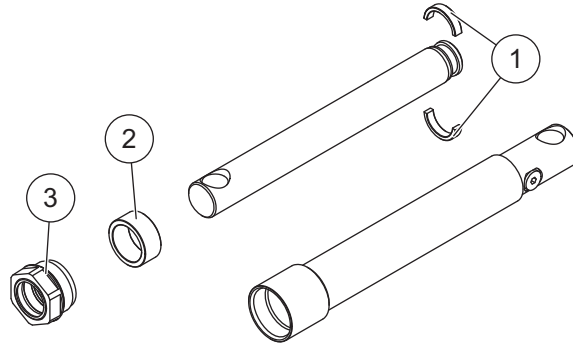
SKID STEER SNOWPLOW PRO PLUS® BLADE – 75720

A-Frame Components – PRO PLUS							
Item	Part	Qty	Description	Item	Part	Qty	Description
1	57971	1	A-Frame	5	57968	2	Ram Pin Kit
2	57975	1	Logo Plate w/Hardware	6	63973	2	Ram Pin Kit
3	57978	1	Step Plate w/Hardware	7	63978	1	Pivot Bolt Kit – PRO PLUS
4	57890	1	Hose Clamp Kit				
Item 2				57975 Logo Plate w/Hardware			
	8	1	Logo Plate – WESTERN®	10		2	1/4-20 Hex Locknut
	9	2	1/4-20 x 1-1/2 Button-Head Screw				
Item 3				57978 Step Plate w/Hardware			
	11	1	Step Plate	12		4	3/8-16 x 1-1/2 Button-Head Screw
Item 4				57890 Hose Clamp Kit			
	9	1	1/4-20 x 1-1/2 Button-Head Screw	13		1	Double Hose Clamp
	10	1	1/4-20 Hex Locknut				
Item 5				57968 Ram Pin Kit			
	14	1	1 x 4 Clevis Pin	16		1	1/4 x 1-1/2 Cotter Pin
	15	1	1.03 ID x 1.75 OD Flat Washer				
Item 6				63973 Ram Pin Kit			
	15	1	1.03 ID x 1.75 OD Flat Washer	18		1	5/32 x 1-1/2 Cotter Pin
	17	1	1 x 3-1/4 Clevis Pin				
Item 7				363978 Pivot Bolt Kit – PRO PLUS			
	19	1	1-8 x 9 Hex Cap Screw G5	21	91340	1	1-8 Hex Locknut GB
	20	91192	3 Round Flat Washer, Special				

For hydraulic relief manifold and fittings, see p. 15.

SKID STEER SNOWPLOW – 57820/75720

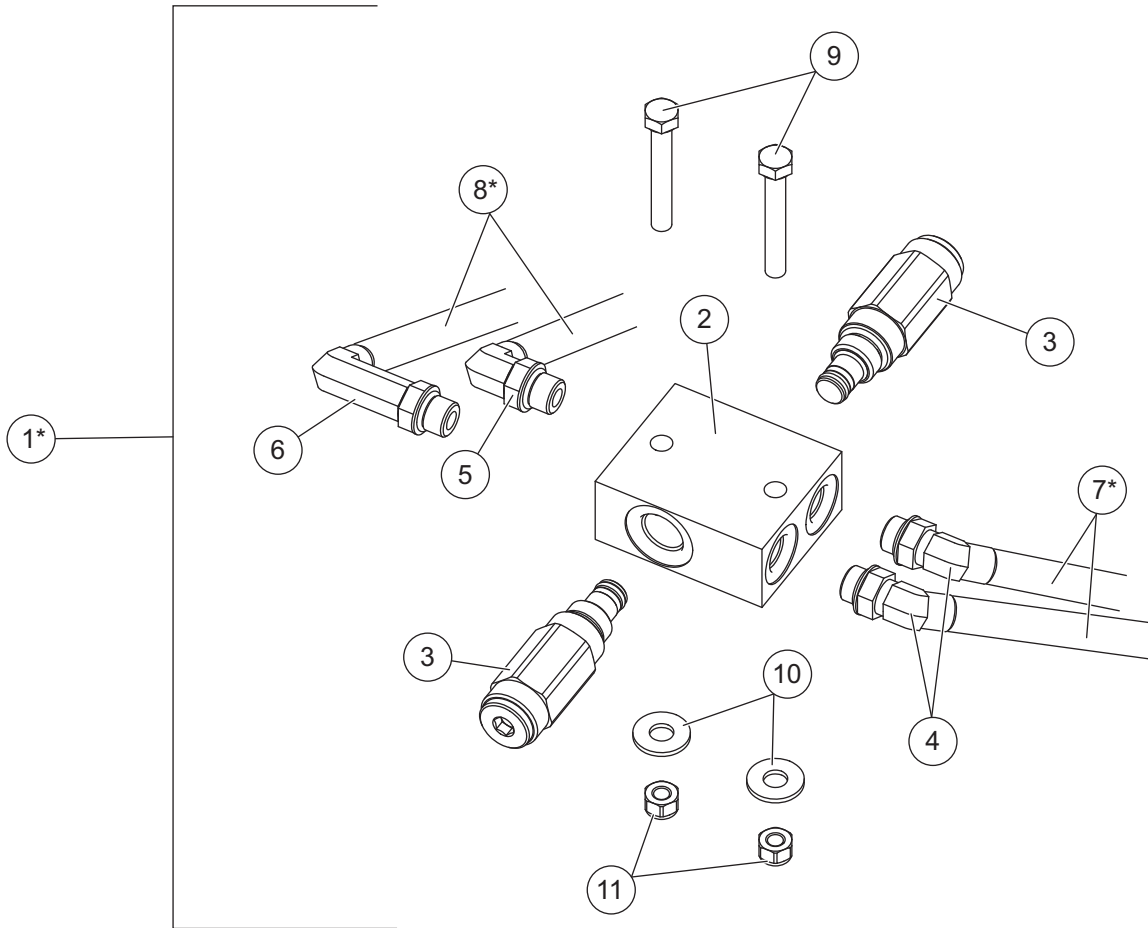
Angle Ram Components



64148 Angle Ram Assembly 1-1/2 x 12 (PRO PLUS®)							
49460 Angle Ram Assembly 1-1/2 x 10 (PRODIGY™)							
Item	Part	Qty	Description	Item	Part	Qty	Description
1	64650	2	Split Bearing 1-1/2"	3	48985	1	Gland Nut Assembly
2	56537	1	Spacer				

SKID STEER SNOWPLOW – 57820/75720

Hydraulic Components



Hydraulic Components						
Item	Part	Qty	Description	Item	Part	Qty Description
1*	57982	1	Relief Manifold w/Valves, Fittings & Hardware	6	64212-1	1 Elbow, Extra Long 90° –6 M JIC/ –6 M ORB
2	57984	1	Relief Manifold	7*	57965	2 Hose, 3/8 x 84 w/F JIC Ends
3	57895	2	Relief Valve, 3300 psi	8*	49496	2 Hose, 3/8 x 42 w/F JIC Ends
4	57877	2	Elbow, Special, 45° –6 M JIC/ –6 M ORB	ns	57983	1 Hardware Bag
5	56615-1	1	Elbow, 90° –6 M JIC/–6 M ORB	ns	57893	1 1/2 Coupler Set (accessory only)
57983 Hardware Bag						
9		2	5/16-18 x 2-1/4 Hex Cap Screw G5	11		2 5/16-18 Hex Locknut
10		2	5/16 Flat Washer			
		F = Female				G = Grade
				M = Male		

* Hoses not included in item 1.



Western Products
PO Box 245038
Milwaukee, WI 53224-9538
www.westernplows.com

 A DIVISION OF DOUGLAS DYNAMICS, LLC

Copyright © 2013 Douglas Dynamics, LLC. All rights reserved. This material may not be reproduced or copied, in whole or in part, in any printed, mechanical, electronic, film or other distribution and storage media, without the written consent of Western Products. Authorization to photocopy items for internal or personal use by Western Products outlets or snowplow owner is granted.

Western Products reserves the right under its product improvement policy to change construction or design details and furnish equipment when so altered without reference to illustrations or specifications used. Western Products or the vehicle manufacturer may require or recommend optional equipment for snow removal. Do not exceed vehicle ratings with a snowplow. Western Products offers a limited warranty for all snowplows and accessories. See separately printed page for this important information. The following are registered (®) or unregistered (™) trademarks of Douglas Dynamics, LLC: CONTRACTOR GRADE®, PRO PLUS®, PRODIGY™, ULTRAFINISH™, WESTERN®.

Printed in U.S.A.