



A DIVISION OF DOUGLAS DYNAMICS, LLC

Western Products
 PO Box 245038
 Milwaukee, WI 53224-9538
 www.westernplows.com

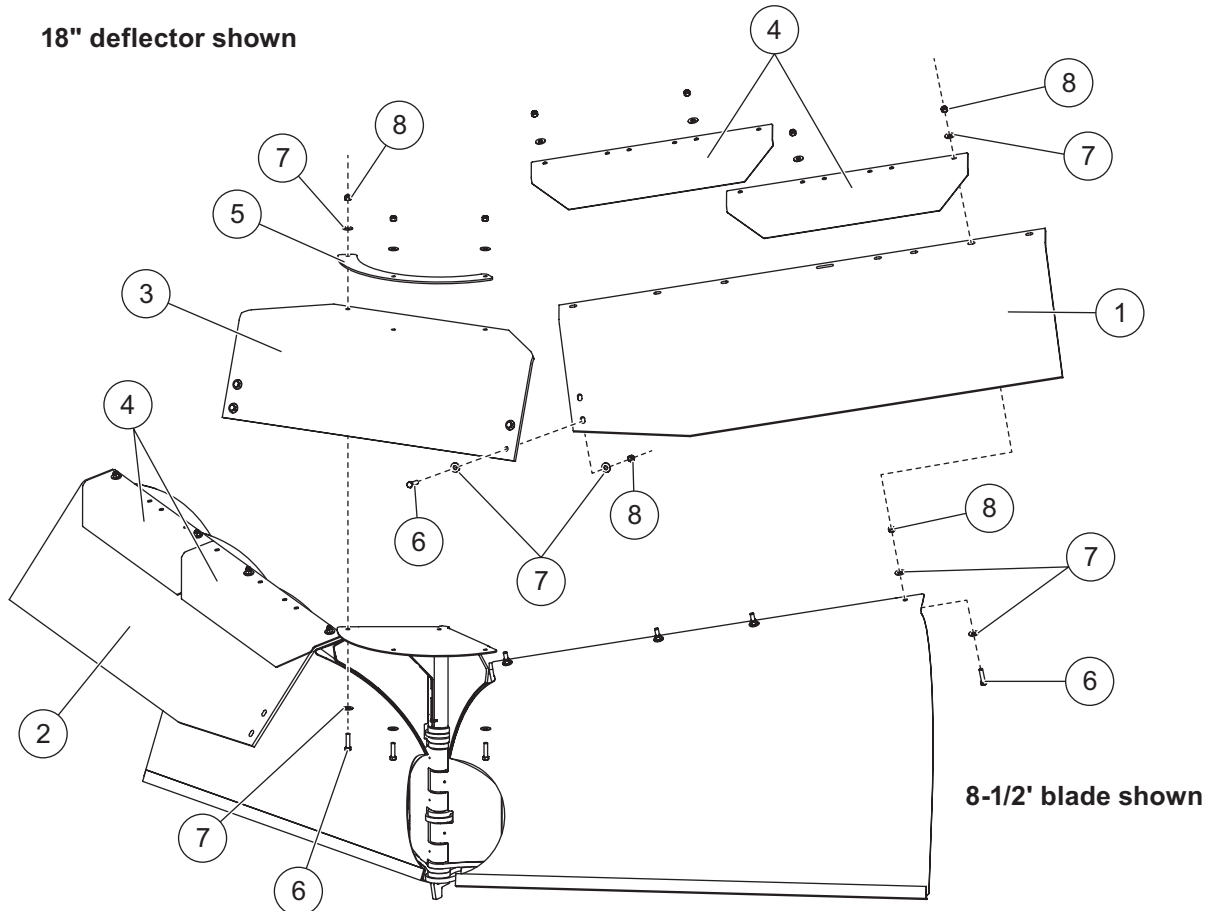
41810, 41811 – MVP 3™ Blades

RUBBER DEFLECTOR KIT

Parts List & Installation Instructions

PARTS LIST

18" deflector shown



41810, 41811 MVP 3 Rubber Deflector Kit (10", 18")							
Item	Part	Qty	Description	Item	Part	Qty	Description
1	41717	1	10" Rubber Deflector WP – DS	4	43545	4	10" Deflector Hold-Down
	41720	1	18" Rubber Deflector WP – DS		43264	4	18" Deflector Hold-Down
2	41718	1	10" Rubber Deflector – PS	5*	43405	1	Center Deflector Hold-Down
	41721	1	18" Rubber Deflector – PS	ns	43620	1	Bolt Bag, Rubber Deflector Kit – 10"
3*	41744	1	Rubber Deflector – Center	ns	41745	1	Bolt Bag, Rubber Deflector Kit – 18"
43620 Bolt Bag, Rubber Deflector Kit – 10"							
6		8	3/8-16 x 1-1/2 Hex Cap Screw G5	8		16	3/8-16 Hex Locknut GB
7		24	3/8 Flat Washer				
41745 Bolt Bag, Rubber Deflector Kit – 18"							
6		15	3/8-16 x 1-1/2 Hex Cap Screw G5	8		23	3/8-16 Hex Locknut GB
7		38	3/8 Flat Washer				
ns = not shown				G = Grade			

* In 41811 Deflector Kit (18") only.

41810, 41811 RUBBER DEFLECTOR KIT

INSTALLATION INSTRUCTIONS

⚠ WARNING

Do not exceed GVWR or GAWR, including blade and ballast. The rating label is found on the driver-side vehicle door cornerpost.

⚠ CAUTION

Read this document before installing the rubber deflector.

⚠ CAUTION

Use standard methods and practices when attaching snowplow and installing accessories, including proper personal protective safety equipment.

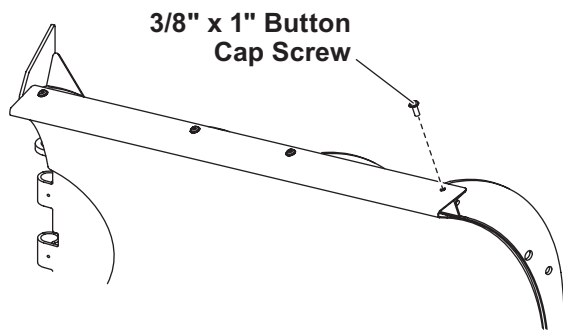
⚠ CAUTION

See your WESTERN® outlet/Web site for specific vehicle application recommendations before installation. Rubber deflector weight information may be found in the Selection List.

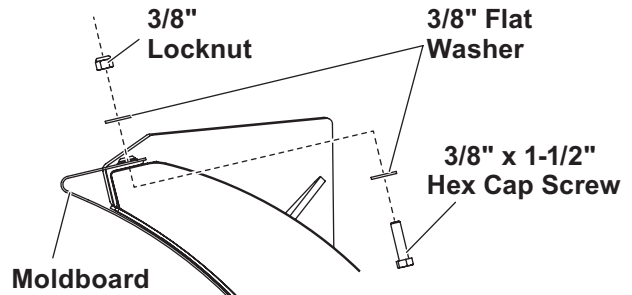
Park the vehicle on a smooth, level, hard surface, such as concrete. Lower the blade to the ground, and turn the control OFF. Turn the vehicle ignition to the "OFF" position and remove the key.

Install Wing Rubber Deflectors

1. Starting from the outside edge of the driver-side blade half, remove and discard the first 3/8" x 1" button cap screw that attaches the moldboard to the blade frame.

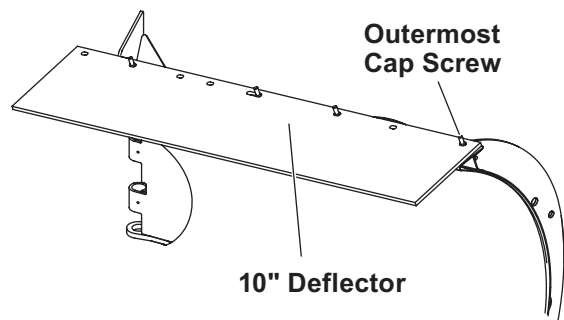


2. Install a supplied 3/8" x 1-1/2" hex cap screw and 3/8" washer, going through blade frame and moldboard from the bottom up. Add another 3/8" washer and a 3/8" locknut and tighten onto the moldboard.

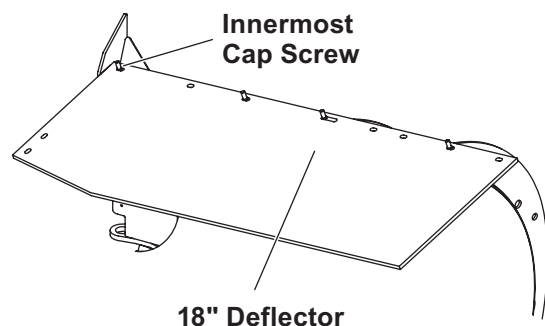


3. Repeat Steps 1 and 2 for the 3 remaining button cap screws.
4. Place the driver-side rubber deflector (with logo) on the moldboard. The deflector will extend beyond one end of the wing on 7-1/2' and 8-1/2' blades, as shown.

10\" deflector: Align the outermost hole in the deflector with the outermost cap screw, washer and nut.



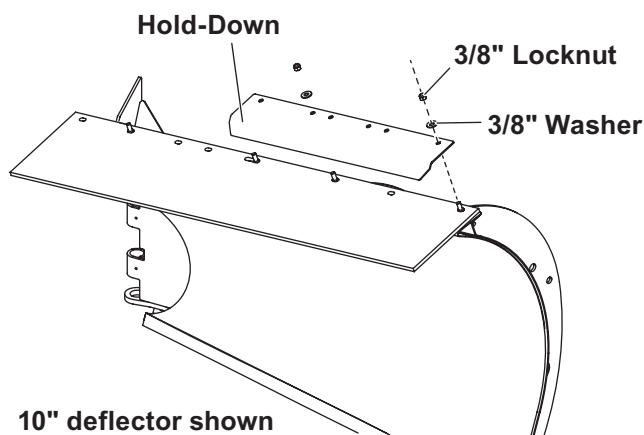
18\" deflector: Align the innermost hole in the deflector with the innermost cap screw, washer and nut.



41810, 41811 RUBBER DEFLECTOR KIT

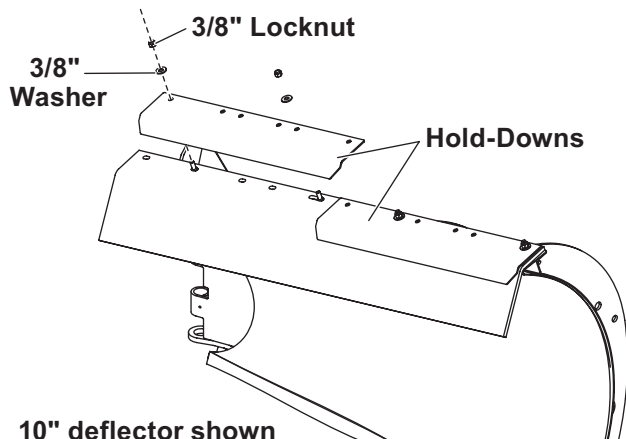
5. Place one of the deflector hold-downs on top of the rubber deflector and wing, aligning the outermost hole in the hold-down with the outermost cap screw in the moldboard.

6. Install one 3/8" washer and locknut on top of the outermost cap screw and hand tighten. Repeat with the second moldboard cap screw.



10" deflector shown

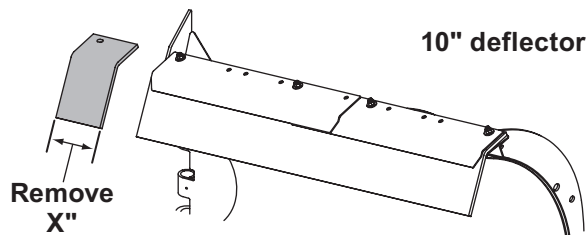
7. Place a second deflector hold-down on top of the rubber deflector and wing, aligning the innermost hole in the hold-down with the innermost cap screw in the moldboard. The hold-downs may overlap each other. Install one 3/8" washer and locknut on each cap screw attaching the second hold-down.



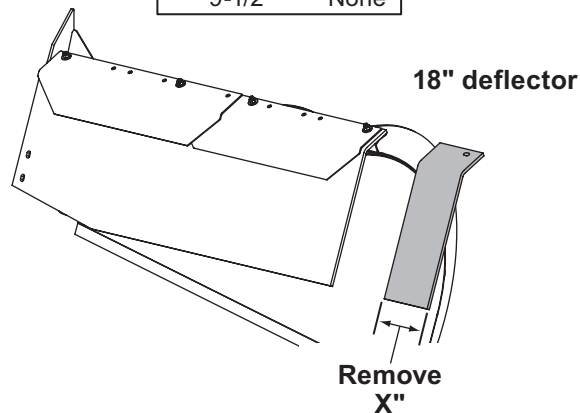
10" deflector shown

8. Make sure that the hold-downs are tight against the deflector, then fully tighten all four locknuts.

9. **7-1/2' and 8-1/2' blades only:** Trim excess length off the rubber deflector as shown.



Blade Size	X
7-1/2'	12"
8-1/2'	6"
9-1/2'	None



10. Repeat Steps 1 through 9 on the passenger's side.

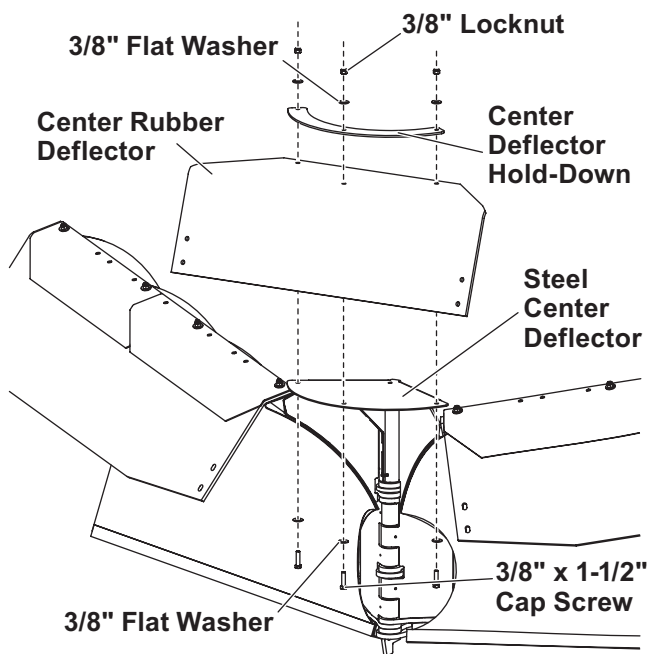
41810, 41811 RUBBER DEFLECTOR KIT

Install Center Rubber Deflector (18" Deflector Only)

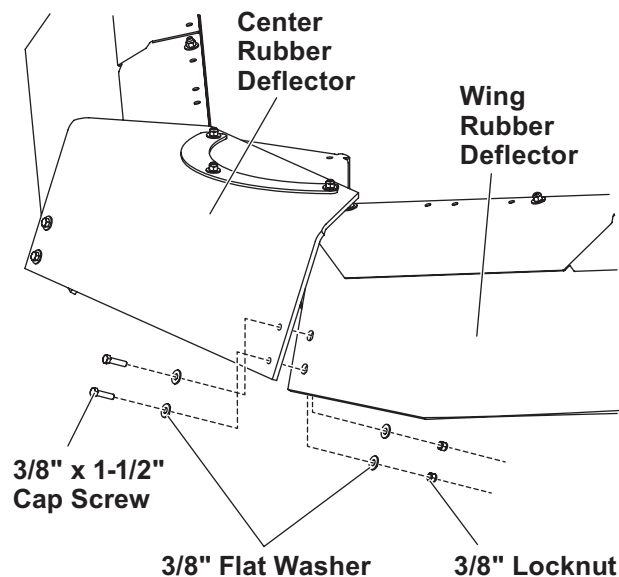
⚠ WARNING

Keep 8' clear of the blade when it is being raised, lowered or angled. Do not stand between vehicle and blade or directly in front of the blade. If the blade hits or drops on you, you could be seriously injured.

1. With the blade in the retracted ("vee") position, attach the center rubber deflector and center deflector hold-down to the steel center deflector using the provided 3/8" x 1-1/2" cap screws, 3/8" washers and 3/8" locknuts. Ensure that the cap screws are installed from the bottom up.



2. Attach the center rubber deflector to the wing rubber deflectors using the provided 3/8" x 1-1/2" cap screws, 3/8" washers and 3/8" locknuts in the pre-made holes.



It is normal for the rubber center deflector to bunch up when the blade is angled or moved into the scoop position.

Copyright © 2013 Douglas Dynamics, LLC. All rights reserved. This material may not be reproduced or copied, in whole or in part, in any printed, mechanical, electronic, film or other distribution and storage media, without the written consent of Western Products. Authorization to photocopy items for internal or personal use by Western Products outlets or snowplow owner is granted.

Western Products reserves the right under its product improvement policy to change construction or design details and furnish equipment when so altered without reference to illustrations or specifications used. Western Products or the vehicle manufacturer may require or recommend optional equipment for snow removal. Do not exceed vehicle ratings with a snowplow. Western Products offers a limited warranty for all snowplows and accessories. See separately printed page for this important information. The following are registered (®) or unregistered (™) trademarks of Douglas Dynamics, LLC: MVP 3™, UltraMount® 2, WESTERN®.

Printed in U.S.A.