



MEYER LED SNOW PLOW LIGHTS

12 Volt Kit			PARTS LIST
ITEM	PART NO.	QTY.	DESCRIPTION
1	23067	1	LED Snow Plow Light Carton • LED Snow Plow Light, Passenger Side (No Hardware) •• Bulb-Amber (1157 NA)
	23066	1	
		1	
2	23065	1	• LED Snow Plow Light, Drivers Side (No Hardware) •• Bulb-Amber (1157 NA)
		1	
3	08126	1	• Hardware Bag (C) •• Hex Bolt 3/8" x 3/4", SS •• Hex Nut 3/8", SS •• Lock Washer 3/8", SS •• Metal Bracket, Bottom •• Bolt 1/2"-13 x 1 1/2", SS •• Hex Lock Nut 1/2"-13, SS •• Flat Washer 1/2", SS •• Neoprene Grommet 1/2"
	N/A	8	
	N/A	8	
	N/A	8	
	N/A	2	
	N/A	2	
	N/A	2	
	N/A	4	
	N/A	2	

Parts indented are included in carton, bag or assembly under which they are indented.

Headlight Aiming - Nite Saber LED

Note: Installer is responsible that the Snow Plow Lamps are aimed to comply with Federal Motor Vehicle Standard 108.

Aiming Snow Plow Lamps: Loosen the four side bolts on the base of the light to allow the light to move freely up and down. Position the light at the correct location so that beams are projected the same distance ahead of the vehicle compared to the OEM headlamps. Note that the hardware has "pins" that will lock the light in position so that it cannot move up or down once the bolts are secured.

When ordering parts, furnish Part No., Name, and Description. Also furnish Vehicle Model and Year, Type of Hydraulic Unit and Moldboard Size.

Meyer Products reserves the right, under its continuing product improvement program, to change construction or design details, specifications and prices without notice or incurring any obligation.

Meyer Products LLC.
18513 Euclid Ave. • Cleveland, Ohio 44112-1084
Phone 486-1313 (Area Code 216)
www.meyerproducts.com • email info@meyerproducts.com



Meyer Products LLC.
6 Angell Lane • Damariscotta, ME 04543-4507
Phone 563-2227 (Area Code 207)
www.meyerproducts.com • email info@meyerproducts.com

Meyer®

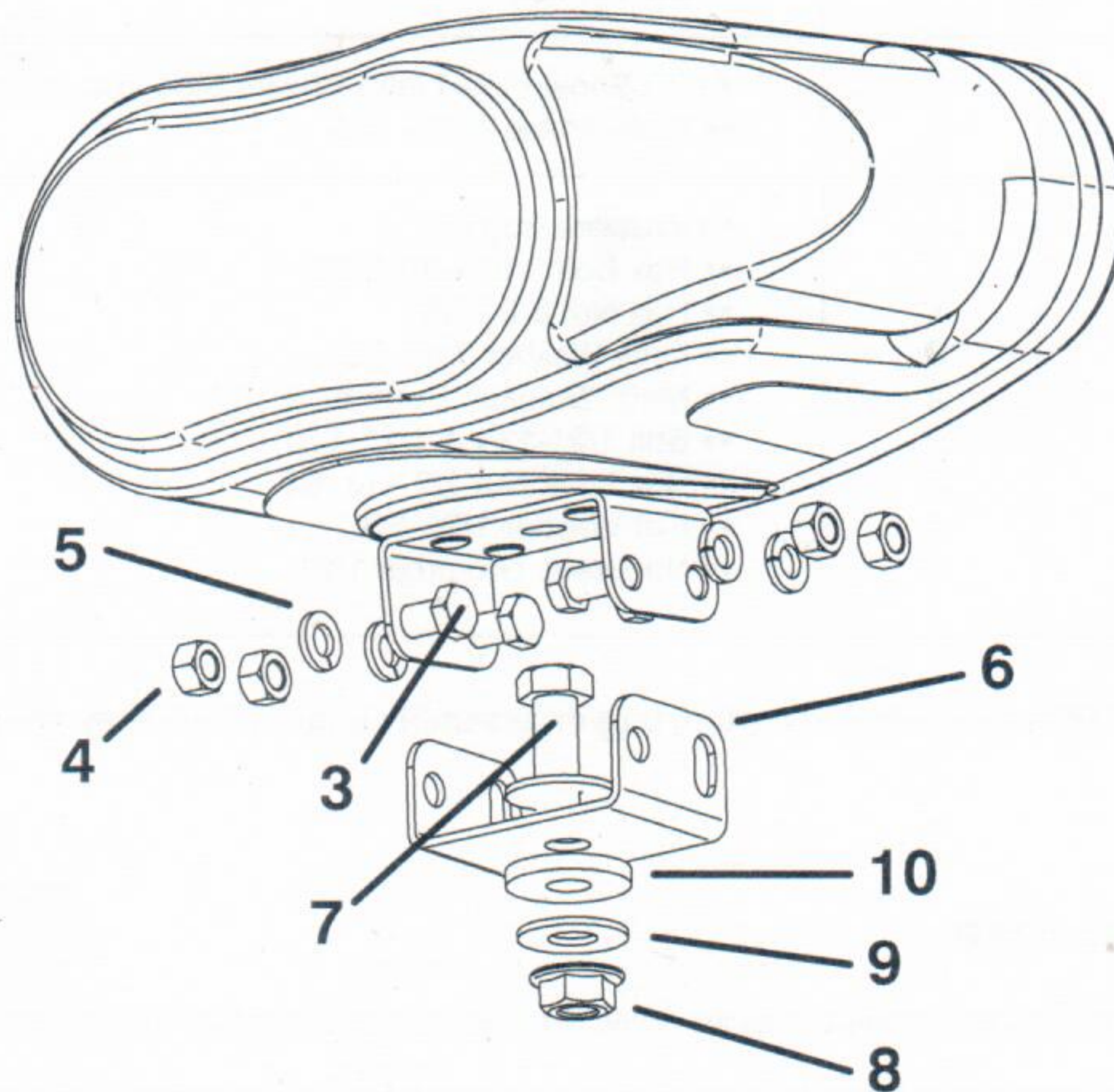
NITE SABER LED

NOTICE: MEYER PRODUCTS ASSUMES NO RESPONSIBILITY FOR INSTALLATIONS NOT MADE IN ACCORDANCE WITH THESE INSTRUCTIONS.

INSTALLATION INSTRUCTIONS

1. Mount the lights (1&2) using supplied hardware. Refer to Figure 1.
Note: The wire harness exiting from the light housing should be secured against the metal frame of the plow supports. Fasten the harness so that it will be located near the grill of the vehicle.

Figure 1



2. Verify that installation is correct by turning on the vehicle headlamps, and switching from high to low beam on the vehicle set, then switch over to the plow lamp headlamp set, and check for high and low beam. At any one time, only the plow or vehicle lights should be on, never both sets at once. Verify DRL headlamp function by turning off the vehicle headlamps switch and turning on the ignition key, starting the engine if necessary. You should have DRL function on only one headlamp set (either plow or vehicle, never both). This is true for most installations. Switch over to the other set, and check for proper function.
3. Your Nite Saber LED light kit is fitted with an internal jumper that illuminates the low and high beam when the high beam is activated. If this feature is not desired, the jumper harness can be removed and only the high beam will illuminate. In addition, the heat grid will not activate in high beam mode.

Important: If lights do not function, a fuse in the external wire harness may have failed. To determine the cause of such failure, check all OEM, external wire connections, DRL lights, auxiliary lights and fuses.

Additional lights connected to the Nite Saber light system will void all warranties.