



**UTV V-Plow**  
**Blade Assembly 77765**  
**Big Box Assembly 77865**  
**Parts List**





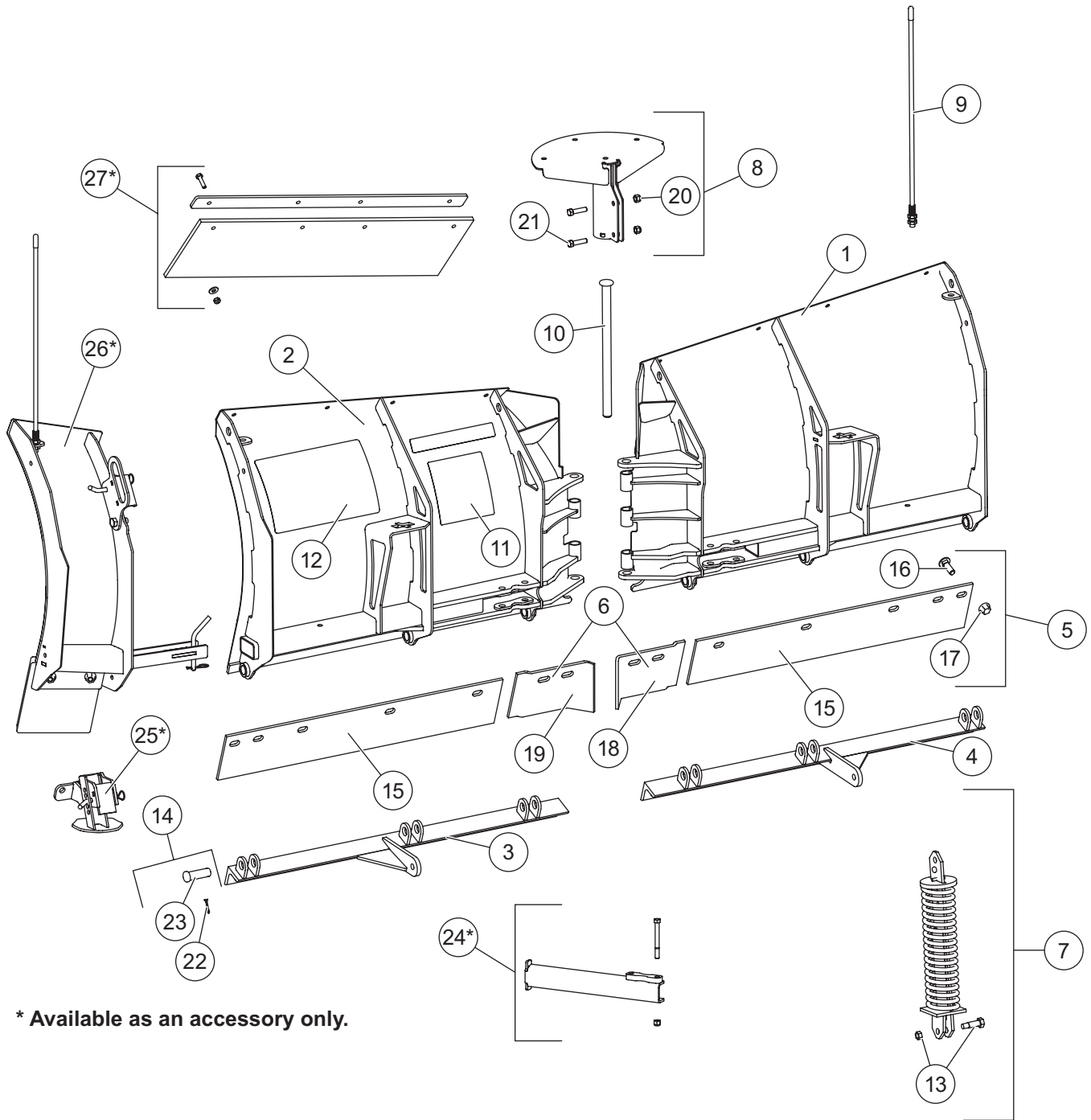
# TABLE OF CONTENTS

---

<b>UTV V-PLOW BLADE ASSEMBLY .....</b>	<b>4</b>
<b>HEADGEAR AND T-FRAME ASSEMBLY.....</b>	<b>6</b>
<b>HYDRAULIC COMPONENTS .....</b>	<b>6</b>
Hydraulic Unit.....	8
Lift and Angle Rams .....	10
Hoses and Fittings.....	11
<b>VEHICLE-SIDE HARNESS DIAGRAM.....</b>	<b>12</b>

# UTV V-PLOW BLADE ASSEMBLY

## Blade Components

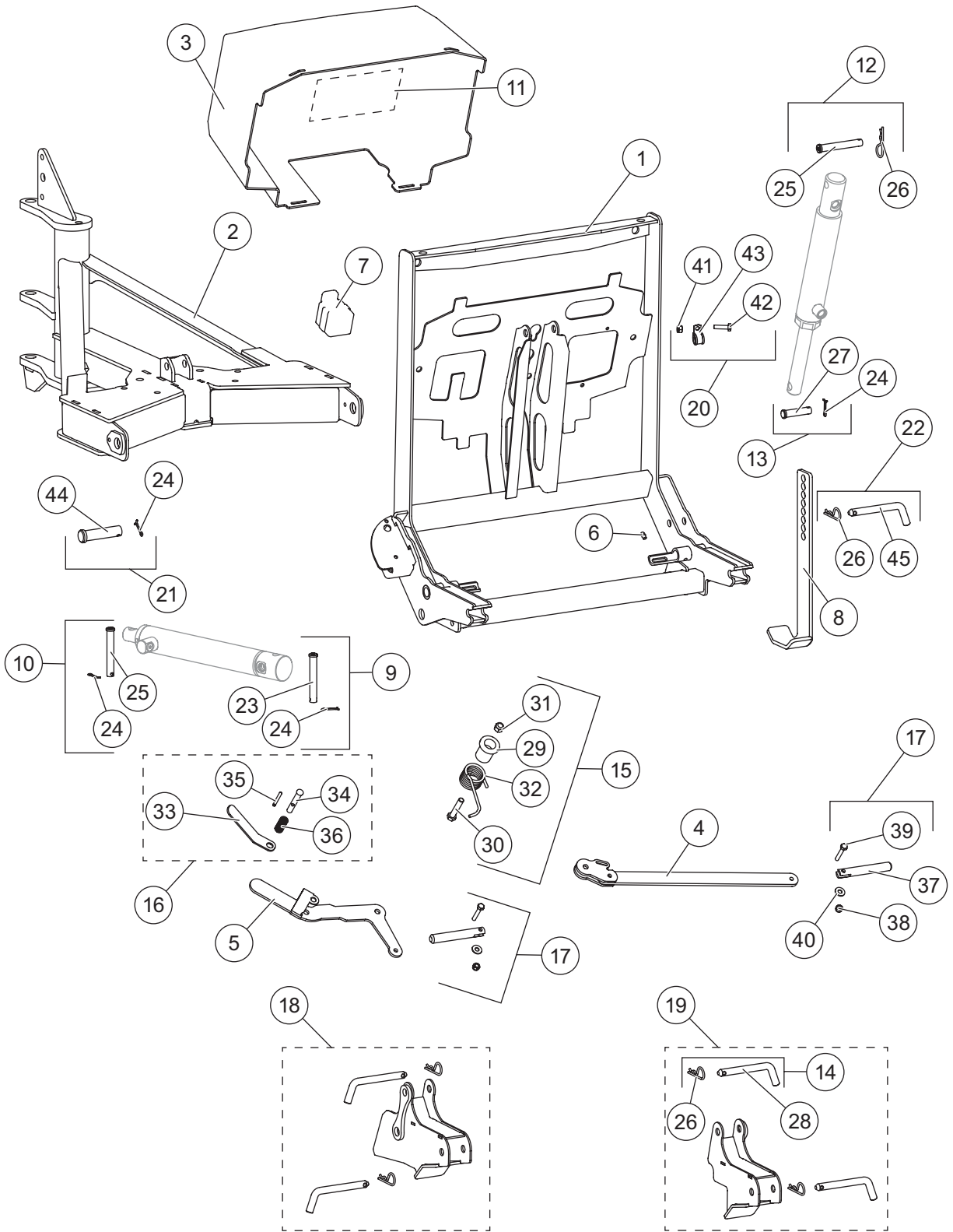


\* Available as an accessory only.



# UTV V-PLOW HEADGEAR AND T-FRAME ASSEMBLY

## Headgear and T-Frame Components

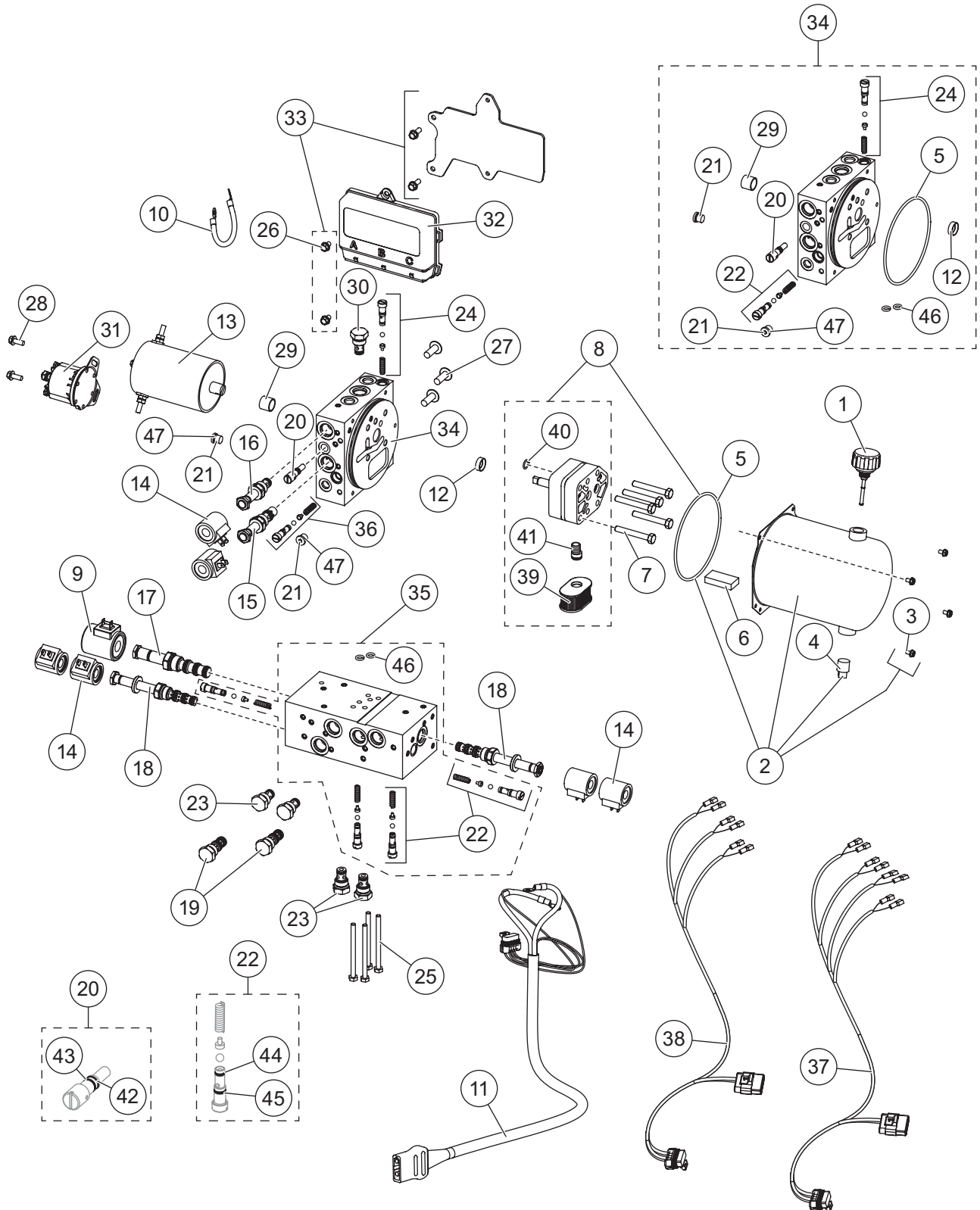


## UTV V-PLOW HEADGEAR AND T-FRAME ASSEMBLY

UTV V-Plow Headgear and T-Frame Components							
Item	Part	Qty	Description	Item	Part	Qty	Description
1	84361	1	Headgear	12	85199	1	Lift Ram Base Pin Kit
2	83628	1	T-Frame	13	84627	1	Lift Ram Rod Pin Kit
3	84843	1	Hydraulic Cover (incl. item 11)	14	84610	4	Receiver Pin Kit
4	83635	1	Link	15	83636	1	Torsion Spring/Spacer Kit
5	83634	1	Handle	16	83633	1	Attach Handle Release Cam Kit
6	84616	1	Grease Zerk (3-Pack)	17	84602	2	Hitch Pin Kit
7	61246	1	Cable Boot	18	83637	1	Receiver Kit, DS
8	84846	1	Stand	19	83638	1	Receiver Kit, PS
9	83629	2	Angle Ram Base Pin Kit	20	84778	1	Power Cable Clamp Loop Kit
10	85198	2	Angle Ram Rod Pin Kit	21	83630	1	T-Frame Pin Kit
11	43862	1	Label - Hydraulic	22	83825	1	Stand Pin Kit
<b>Item 9</b>				<b>83629 Angle Ram Pin Kit</b>			
23		1	1/2 x 3-11/16 Clevis Pin HT	24		1	5/32 x 1-1/2 Cotter Pin
<b>Item 10</b>				<b>85198 Angle Ram Pin Kit</b>			
24		1	5/32 x 1-1/2 Cotter Pin	25		1	1/2 x 2-7/8 Clevis Pin HT
<b>Item 12</b>				<b>85199 Lift Ram Base Pin Kit</b>			
25		1	1/2 x 2-7/8 Clevis Pin HT	26		1	1/8 Hairpin Cotter
<b>Item 13</b>				<b>84627 Lift Ram Rod Pin Kit</b>			
24		1	5/32 x 1-1/2 Cotter Pin	27		1	1/2 x 2-1/8 Clevis Pin HT
<b>Item 14</b>				<b>84610 Receiver Pin Kit</b>			
26		1	1/8 Hairpin Cotter	28		1	1/2 x 4 Clevis Pin
<b>Item 15</b>				<b>83636 Torsion Spring/Spacer Kit</b>			
29		1	Spacer, Handle Spring	31		1	3/8-16 Hex Locknut GB
30		1	3/8-16 x 2-1/4 Hex Cap Screw G5	32		1	Torsion Spring
<b>Item 16</b>				<b>83633 Attach Handle Release Cam Kit</b>			
33		1	Handle Lock Pin Lever	35		1	3/16 x 1-3/8 Spring Pin SS
34		1	Lock Pin	36		1	Stand Lock Pin Spring
<b>Item 17</b>				<b>84602 Hitch Pin Kit</b>			
37		1	Hitch Pin	39		1	1/4-20 x 1-1/2 Hex Cap Screw SS
38		1	1/4-20 Hex Locknut GB	40		1	1/4 Flat Washer Type A Wide
<b>Item 18</b>				<b>83637 Receiver Kit, DS</b>			
		1	Receiver, DS	14		2	Receiver Pin Kit
<b>Item 19</b>				<b>83638 Receiver Kit, PS</b>			
		1	Receiver, PS	14		2	Receiver Pin Kit
<b>Item 20</b>				<b>84778 Power Cable Clamp Loop Kit</b>			
41		1	1/4-20 Hex Locknut GB	43		1	#10 Clamp Loop
42		1	1/4-20 x 1 Hex Cap Screw G5				
<b>Item 21</b>				<b>83630 T-Frame Pin Kit</b>			
24		1	5/32 x 1-1/2 Cotter Pin	44		1	3/4 x 3 Clevis Pin
<b>Item 22</b>				<b>83825 Stand Pin Kit</b>			
26		1	1/8 Hairpin Cotter	45		1	3/8 x 2-3/8 Clevis Pin
			G = Grade				HT = Heat Treated
							SS = Stainless Steel

# UTV V-PLOW HYDRAULIC COMPONENTS

## Hydraulic Unit Components





## UTV V-PLOW HYDRAULIC COMPONENTS

<b>52652 Hydraulic Unit UTV V-Plow</b>							
Item	Part	Qty	Description	Item	Part	Qty	Description
1	66525	1	Reservoir Filler Breather	21	44344	2	Plug, Hex Socket –4 M ORB
2	52289	1	Reservoir Kit	22	52283	2	Relief Valve Kit (2 sets)
3	66607	4	10-24 x 5/16 Machine Screw	23	48287	4	Check Valve CV08-20
4	92079	1	Plug, Square 3/8 NPTF	24	52284	1	Relief Valve Repair Kit – Set
5	66519	1	O-Ring 2-250	25	90696	4	1/4-20 x 3-1/2 Hex Cap Screw G5
6	73897	1	Magnet	26	43988	2	1/4-20 x 3/8 Hex Washer-Head Thread-Rolling Screw
7	90073	5	5/16-18 x 2-1/4 Hex Cap Screw G5	27	98043	3	3/8-16 x 1 Button Cap Screw
8	52553	1	Pump Kit	28	44355	4	1/4-20 x 5/8 Hex Washer-Head Thread-Rolling Screw
9	84901	1	Coil 10 w/Spades	29†	56364	1	Bearing Sleeve
10	29071	1	Cable Assembly, 8"	30	84934	1	Check Valve
11	52291	1	Cable Assembly, Plow	31	52290	1	Motor Relay
12*	66515	1	Pump Shaft Seal	32	52292-1	1	Plow Module
13	52299	1	Motor Assembly 3"	33	52293-1	1	Module Plate
14	52294	6	Coil w/Spade Terminals	34	52551	1	Primary Manifold, w/o Valves
15	49489	1	Valve – SVCV08-20 w/Nut	35	52552	1	Secondary Manifold, w/o Valves
16	84936	1	Valve – 2-Way NC w/Rev Flow	36	52282	1	Relief Valve (1 set)
17	84900	1	Valve – 4-Way SV10-43 w/Nut	37	52215	1	Plow Control Harness, 4-Coil
18	52285	2	Valve – 4-Way 3-Position Closed Center w/Nut and Spacer	38	52217	1	Plow Control Harness, 3-Coil
19	49488	2	Valve – PC08-30 w/Nut				
20	48517	1	Quill				
<b>Item 2</b>				<b>52289 Reservoir Kit</b>			
		1	Reservoir	4	92079	1	Plug, Square 3/8 NPTF
3	66607	4	10-24 x 5/16 Machine Screw	5	66519	1	O-Ring 2-250
<b>Item 8</b>				<b>52553 Pump Kit</b>			
		1	Pump	40	56274	1	O-Ring -013
5	66519	1	O-Ring 2-250	41	10887	1	Fitting, Hydraulic Pump Inlet
39	48281	1	Suction Filter				
<b>Item 20</b>				<b>48517 Quill</b>			
42	48239	1	O-Ring -106	43	48240	1	Back-Up Ring -106
<b>Item 22</b>				<b>52283 Relief Valve Kit</b>			
44	55371	6	O-Ring -008	45	25731	6	O-Ring -010
<b>Item 34</b>				<b>52551 Primary Manifold w/o Valves</b>			
5	66519	1	O-Ring 2-250	24	52284	1	Relief Valve Repair Kit – Set
12*	66515	1	Pump Shaft Seal	29†	56364	1	Bearing Sleeve
20	48517	1	Quill	46	43818	2	O-Ring -109
21	44344	2	Plug, Hex Socket –4 M ORB	47	44343	2	O-Ring -904
22	52283	2-1/2	Relief Valve Kit (2 sets)				
<b>Item 35</b>				<b>52552 Secondary Manifold w/o Valves</b>			
22	52283	2	Relief Valve Kit (2 sets)	46	43818	2	O-Ring -109
<b>O-Ring Service Kits</b>							
ns	52298-1		O-Ring Kit (Does not contain O-rings for valves.)	ns	48309		Seal Kit – 3-Way and 4-Way Valve
ns	48310		Seal Kit – 2-Way Valves	ns	84909		Seal Kit, Size 10 – 3-Way and 4-Way Valve
ns = not shown				G = Grade			

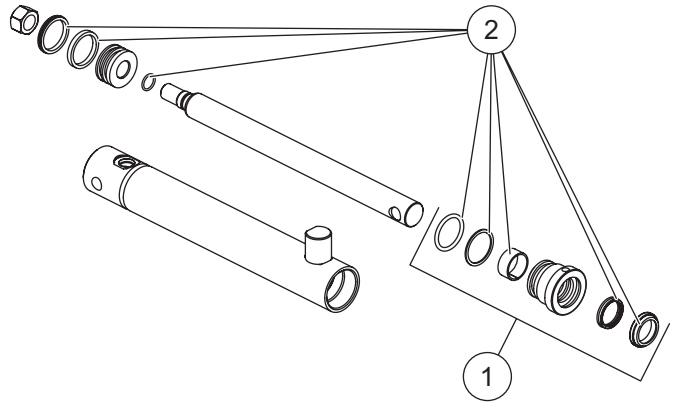
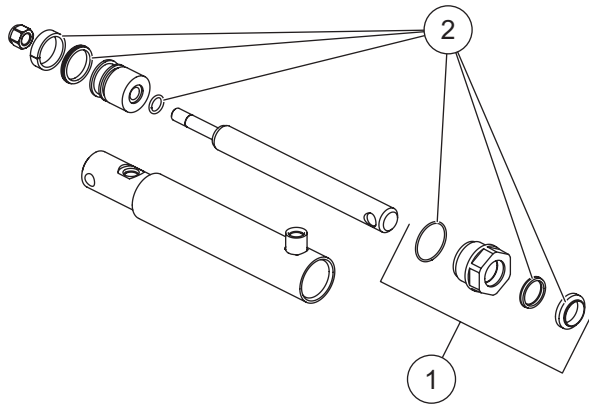
\* Use 52252 tool for pump shaft seal replacement (includes 1 seal).

† Use 52251 tool for bearing sleeve replacement (includes 1 bearing).

Go to [www.snowexproducts.com](http://www.snowexproducts.com) for hydraulic unit service information and specifications.

# UTV V-PLOW HYDRAULIC COMPONENTS

## Lift and Angle Ram Components

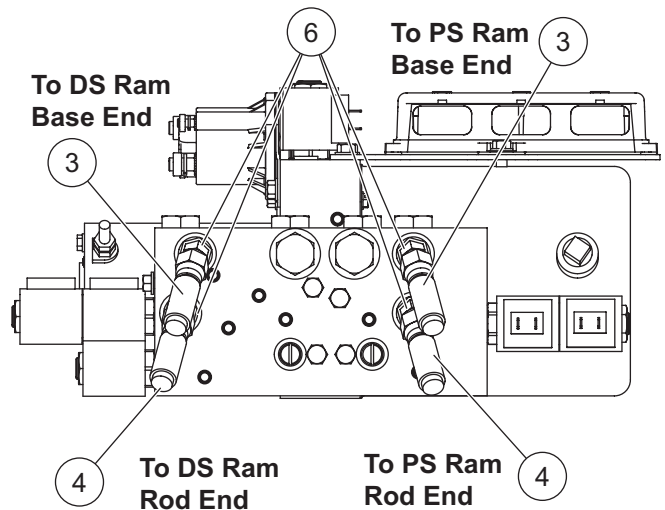
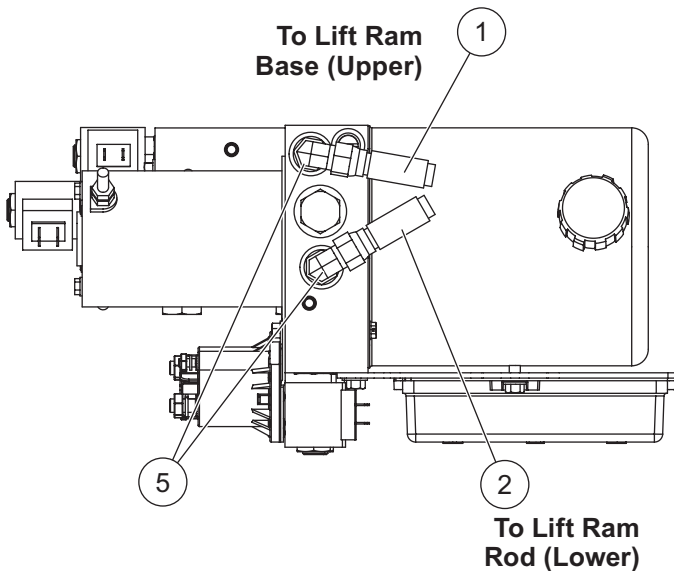
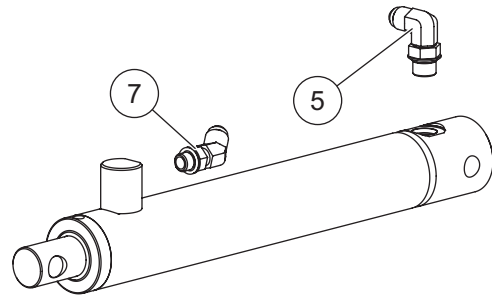
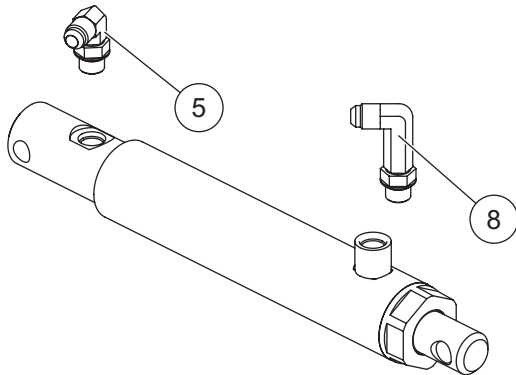


<b>84496 Lift Ram Assembly 1-1/2 x 6</b>			
Item	Part	Qty	Description
1	52277	1	1" Gland Nut Assembly
2	52302	1	Seal Kit 1-1/2 DA Ram

<b>84435 Wing Ram Assembly 1-1/2 x 8-3/4 DA</b>			
Item	Part	Qty	Description
1	52558	1	1" Gland Nut Assembly
2	52557	1	Seal Kit 1-1/2 DA Ram

# UTV V-PLOW HYDRAULIC COMPONENTS

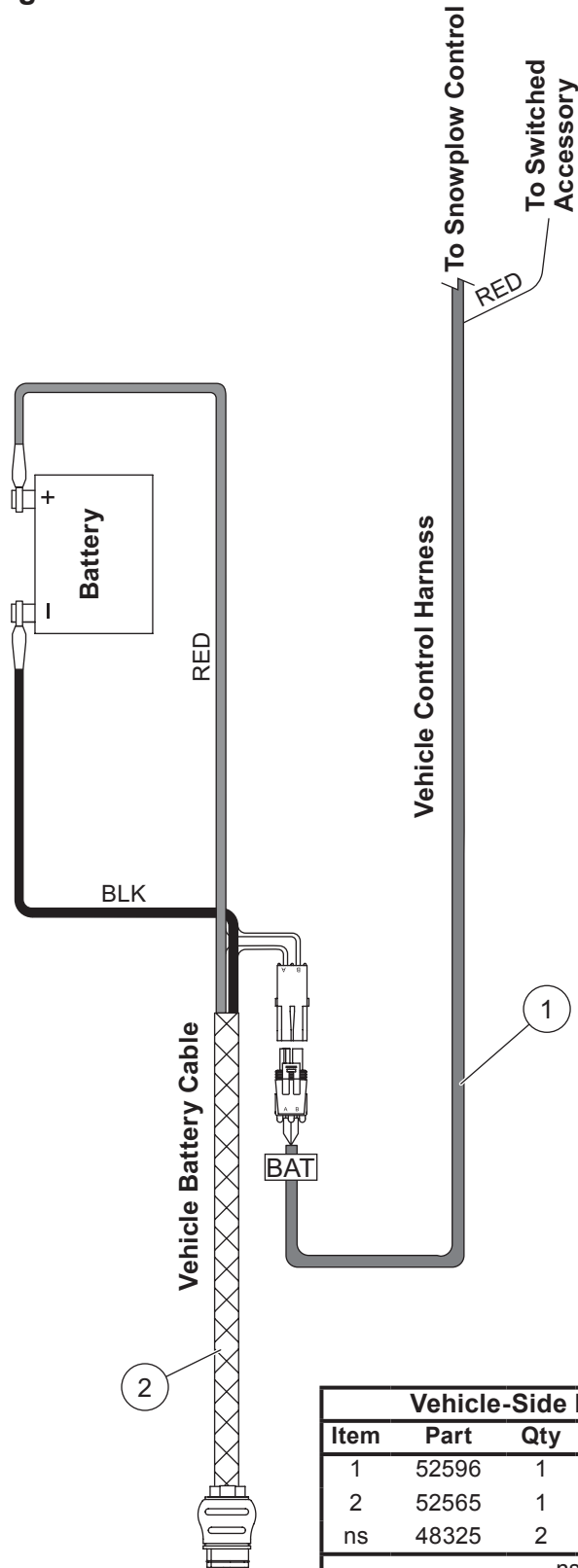
## Hoses and Fittings



Hoses and Fittings							
Item	Part	Qty	Description	Item	Part	Qty	Description
1	84446	1	Hose, 1/4 x 14 w/F JIC Ends	6	48333	4	Elbow, 45° -6 M JIC/-6 M ORB
2	84453	1	Hose, 1/4 x 20 w/F JIC Ends	7	41093	2	Elbow, 45° -6 M JIC/-4 M ORB
3	84810	2	Hose, 1/4 x 32 w/F JIC Ends	8	40572	1	Elbow, Extra Long 90° -6 M JIC/-6 M ORB
4	84811	2	Hose, 1/4 x 36 w/F JIC Ends				
5	56615-1	5	Elbow, 90° -6 M JIC/-6 M ORB				
F = Female				M = Male			

# UTV V-PLOW VEHICLE-SIDE HARNESS DIAGRAM

## Vehicle-Side Harness Diagram



Vehicle-Side Electrical Components			
Item	Part	Qty	Description
1	52596	1	Vehicle Control Harness
2	52565	1	Vehicle Battery Cable
ns	48325	2	Plug Cover
ns = not shown			





TrynEx International, LLC  
531 Ajax Drive  
Madison Heights, MI 48071-2429  
[www.snowexproducts.com](http://www.snowexproducts.com)

 A DIVISION OF DOUGLAS DYNAMICS, LLC

Copyright © 2017 Douglas Dynamics, LLC. All rights reserved. This material may not be reproduced or copied, in whole or in part, in any printed, mechanical, electronic, film or other distribution and storage media, without the written consent of TrynEx International, LLC. Authorization to photocopy items for internal or personal use by TrynEx International, LLC outlets or snowplow owner is granted.

TrynEx International, LLC reserves the right under its product improvement policy to change construction or design details and furnish equipment when so altered without reference to illustrations or specifications used. TrynEx International, LLC or the vehicle manufacturer may require or recommend optional equipment for snow removal. Do not exceed vehicle ratings with a snowplow. TrynEx International, LLC offers a limited warranty for all snowplows and accessories. See separately printed page for this important information. The following is a registered (®) trademark of Douglas Dynamics, LLC: SnowEx®.

**Printed in U.S.A.**